

Ceramic range KE 700

Technical data

10000040470-TDA-000-01



Cooking zones in the rear are square 27x27cm with 4kW (3,5kW by 3x230V).

Cooking zones in the front are Ø17,5/21cm, where the outer ring is activated on demand. The power is 1,4kW on Ø17,5cm and 2,0kW on Ø21cm.

Technical data

Electric

In the users manual there is important information regarding supply and connections.

3~230V+PE, 50/60Hz

Type	Zones	Power [kW]	Current consumption [A]
KE 702	1 X 270X270mm 1 X Ø175/210mm	5,5	15/24/9
KE 704	2 X 270X270mm 2 X Ø175/210mm	11,0	26/28/28
KE 706	3 X 270X270mm 3 X Ø175/210mm	16,5	42/42/42

3~400V+N+PE, 50/60Hz

Type	Zones	Power [kW]	Current consumption [A]
KE 702	1 X 270X270mm 1 X Ø175/210mm	6	10/10/9
KE 704	2 X 270X270mm 2 X Ø175/210mm	12	20/19/19
KE 706	3 X 270X270mm 3 X Ø175/210mm	18	29/29/29

Ventilation

3~230V+PE, 50/60Hz

Type	Sensible [W]	Latent [W]	Steam [kg/h]
KE 702	1100	440	0,7
KE 704	2200	880	1,3
KE 706	3300	1320	2,0

3~400V+N+PE, 50/60Hz

Type	Sensible [W]	Latent [W]	Steam [kg/h]
KE 702	1200	480	0,7
KE 704	2400	960	1,4
KE 706	3600	1440	2,1



The data is based on the German standard VDI 2052 for dimensioning of ventilation facilities.

The values are based on experience with an average product and a normal usage, and the actual demand varies by the efficiency of the appliance, the control and the way of use.

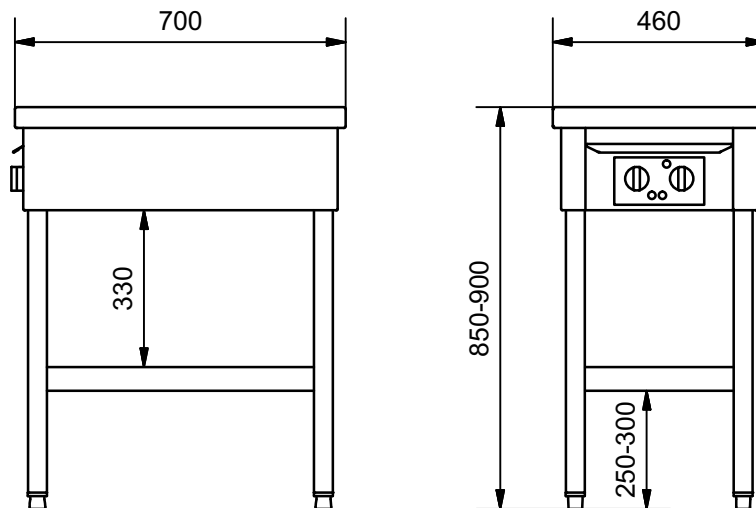
The simultaneity factor, which can be found in VDI 2052 is not taken into account.

Ingress protection class

IPX5

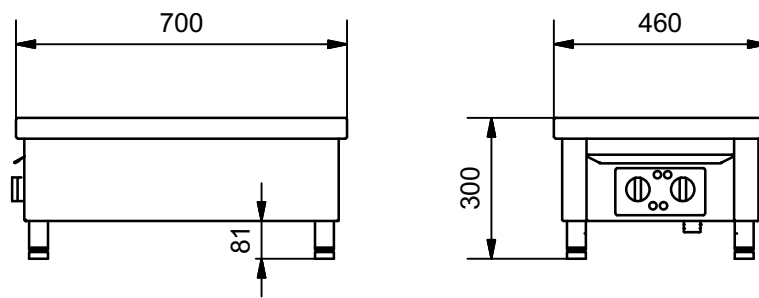
Dimensions of the product

KE 702



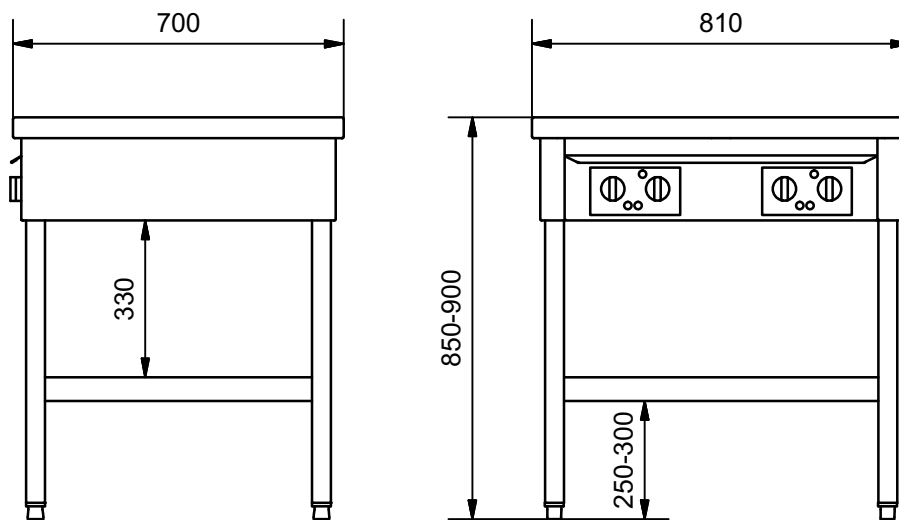
See under the paragraph 'Dimensions for installation' about requirements for space around the appliance.

KE 702, 300mm



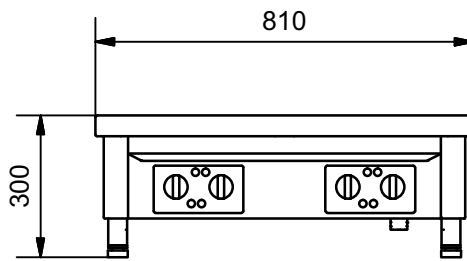
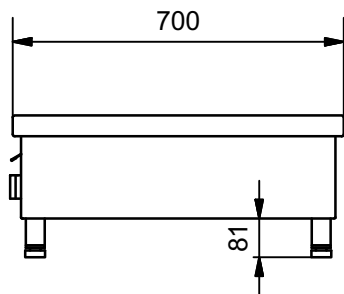
See under the paragraph 'Dimensions for installation' about requirements for space around the appliance.

KE 704



See under the paragraph 'Dimensions for installation' about requirements for space around the appliance.

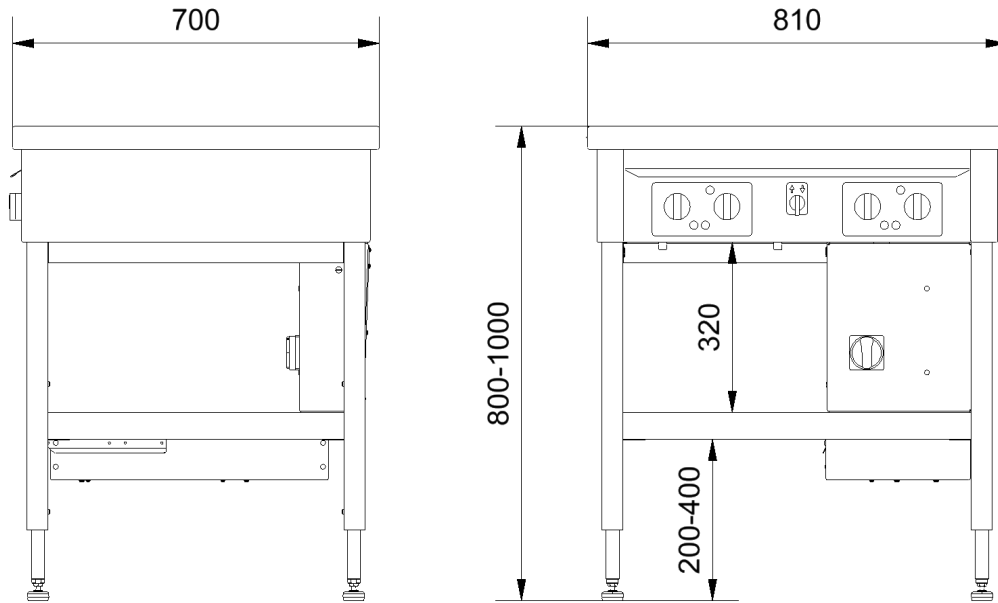
KE 704, 300mm



See under the paragraph 'Dimensions for installation' about requirements for space around the appliance.

KE 704 Vari with undershelf

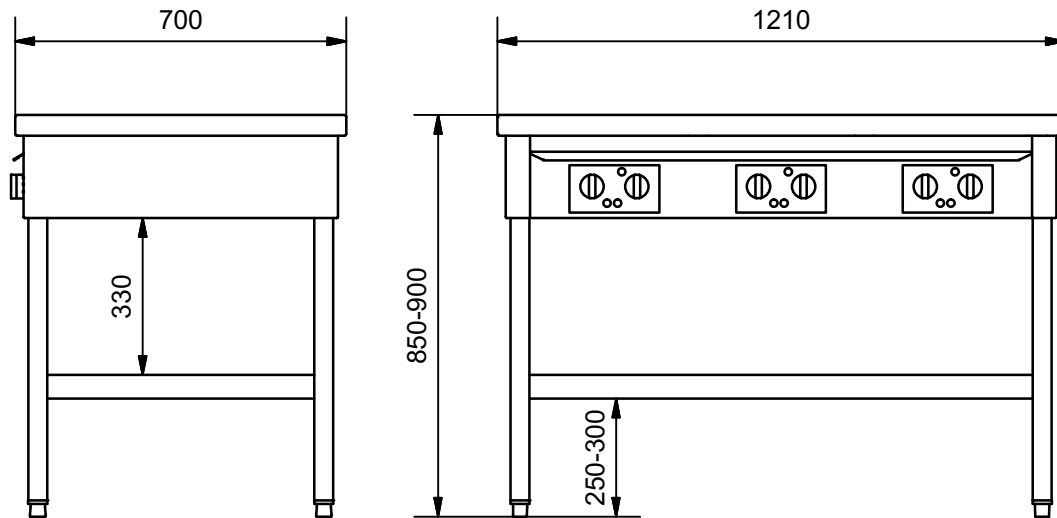




See under the paragraph 'Dimensions for installation' about requirements for space around the appliance.

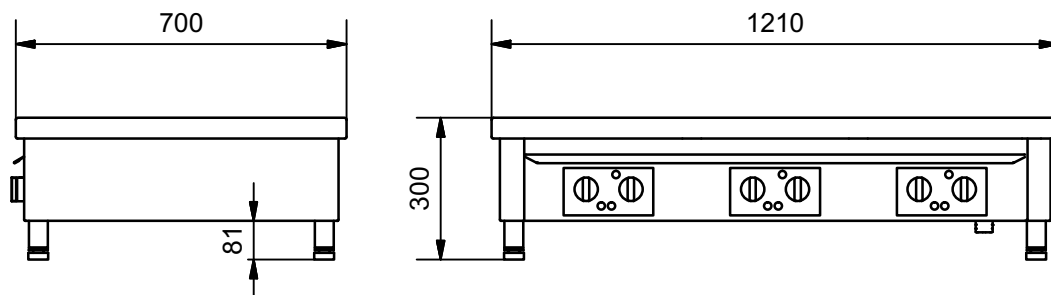
KE 706





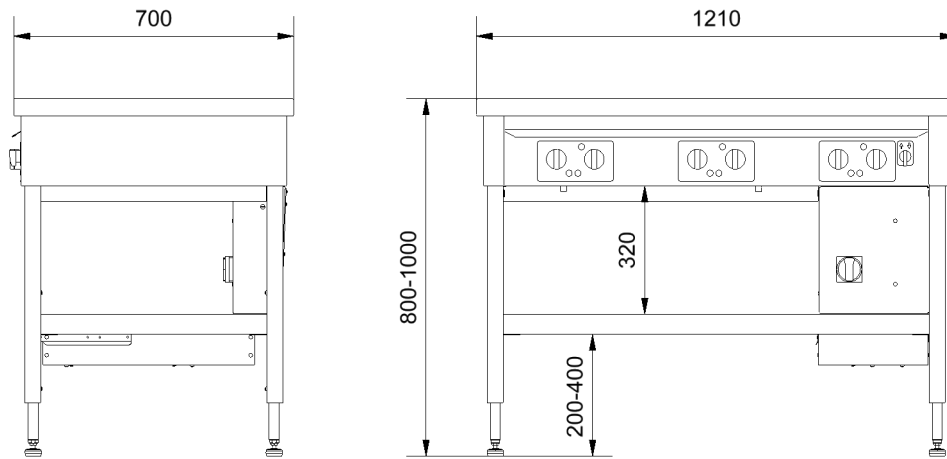
See under the paragraph 'Dimensions for installation' about requirements for space around the appliance.

KE 706, 300mm



See under the paragraph 'Dimensions for installation' about requirements for space around the appliance.

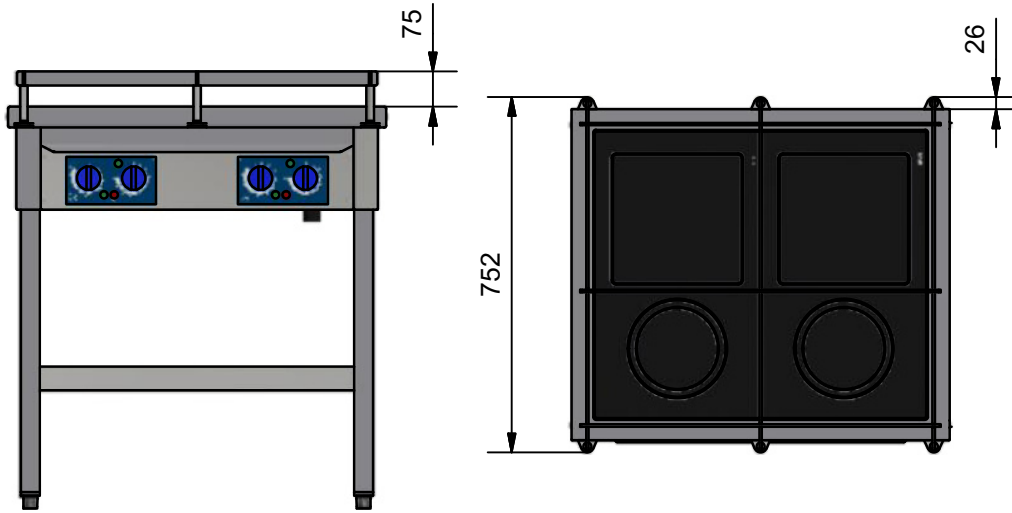
KE 706 Vari with undershelf



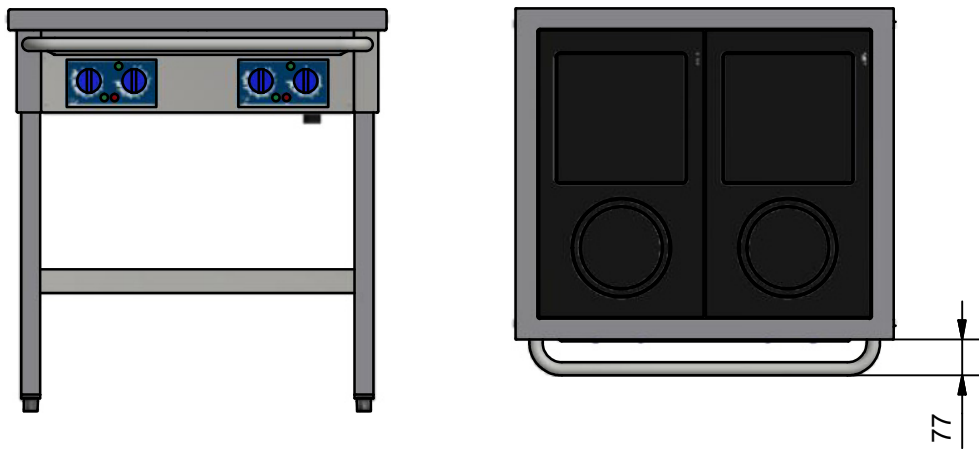
See under the paragraph 'Dimensions for installation' about requirements for space around the appliance.

Additional equipment

Fiddles

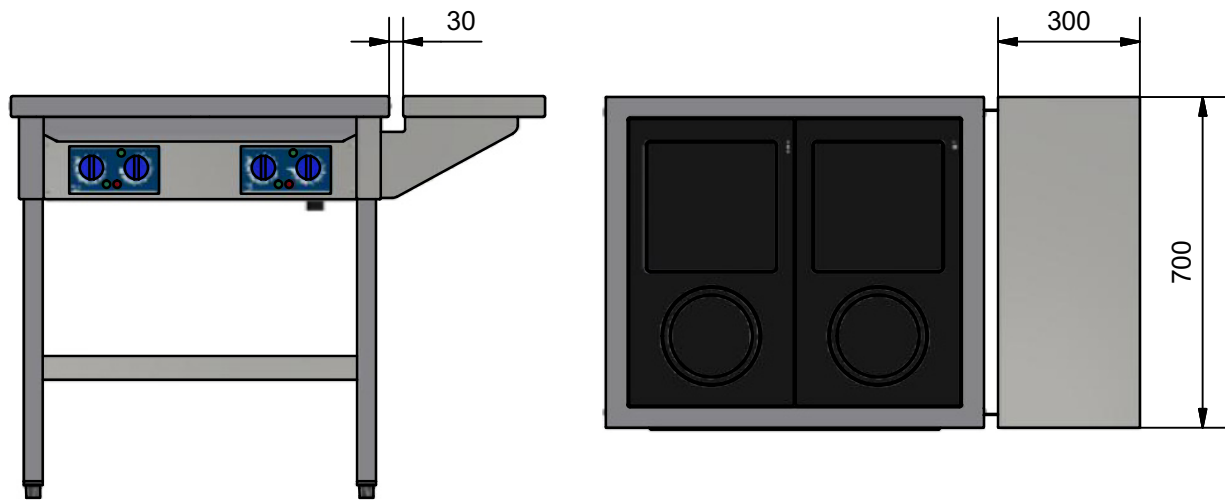


Hand rail



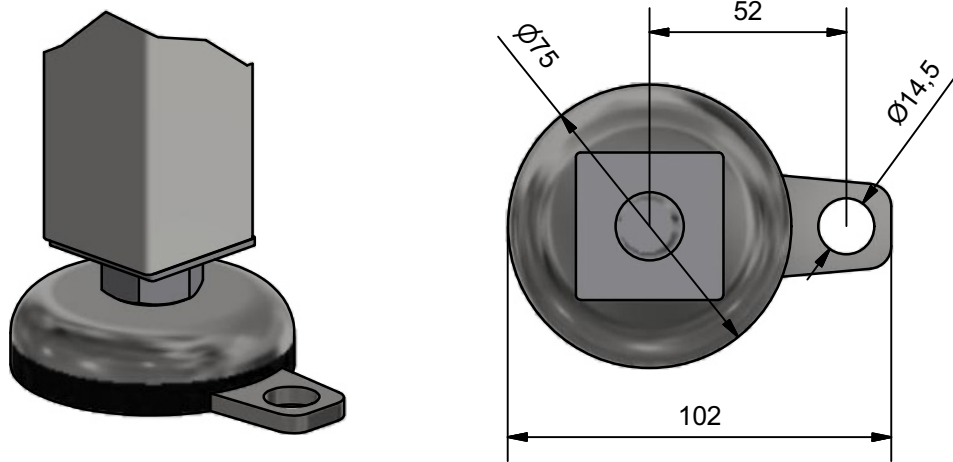
The accessory requires floor mounting and cannot be combined with electric height adjustment.

Side shelf



Ranges with two zones and side shelf must be fixed to the floor and cannot be equipped with electric height adjustment.

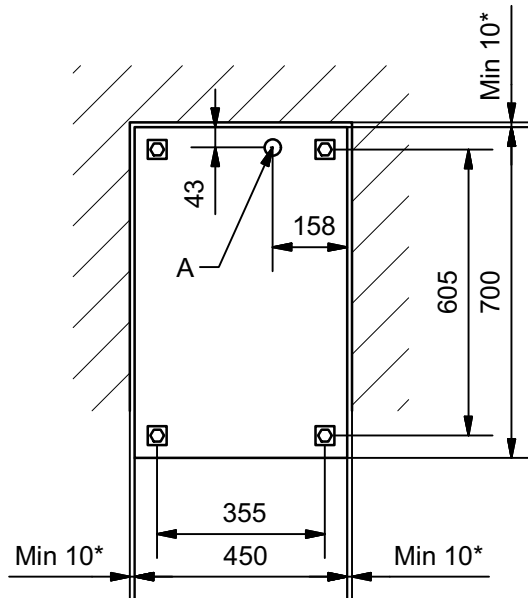
Fixing to the floor



Cannot be combined with electric height adjustment.

Dimensions for installation

KE 702

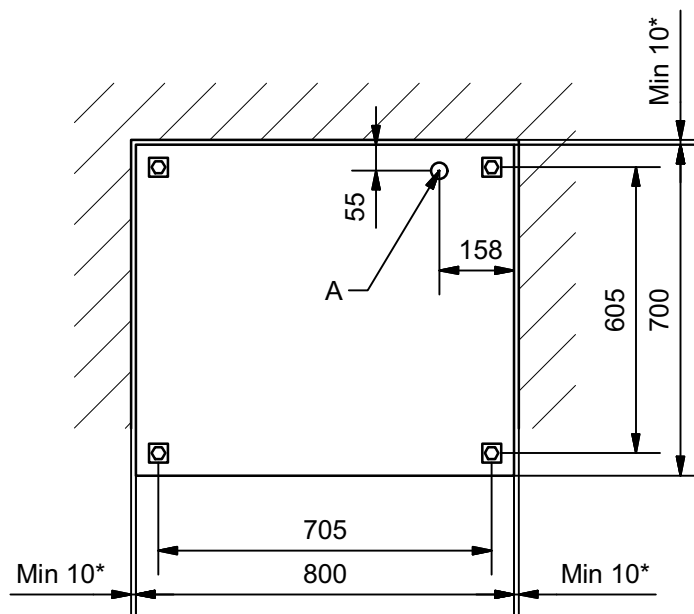


A: Minimum 800mm electrical cable over the floor.

* Minimum 100mm when placed next to inflammable materials.

For usage and service purposes a 800 mm minimum clearance is required at the front of the range.

KE 704 / KE 704 Vari with undershelf

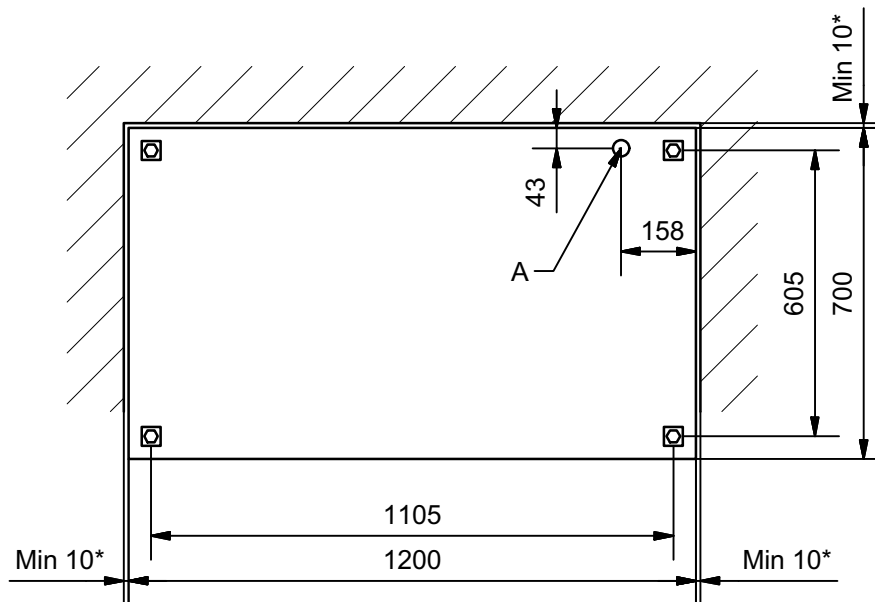


A: Minimum 800mm electrical cable over the floor.

* Minimum 100mm when placed next to inflammable materials.

For usage and service purposes a 800 mm minimum clearance is required at the front of the range.

KE 706 / KE 706 Vari with undershelf



A: Minimum 800mm electrical cable over the floor.

* Minimum 100mm when placed next to inflammable materials.

For usage and service purposes a 800 mm minimum clearance is required at the front of the range.