



MaxiMix AutoTemp 56

Technical data

10000030597-DOC-000-01



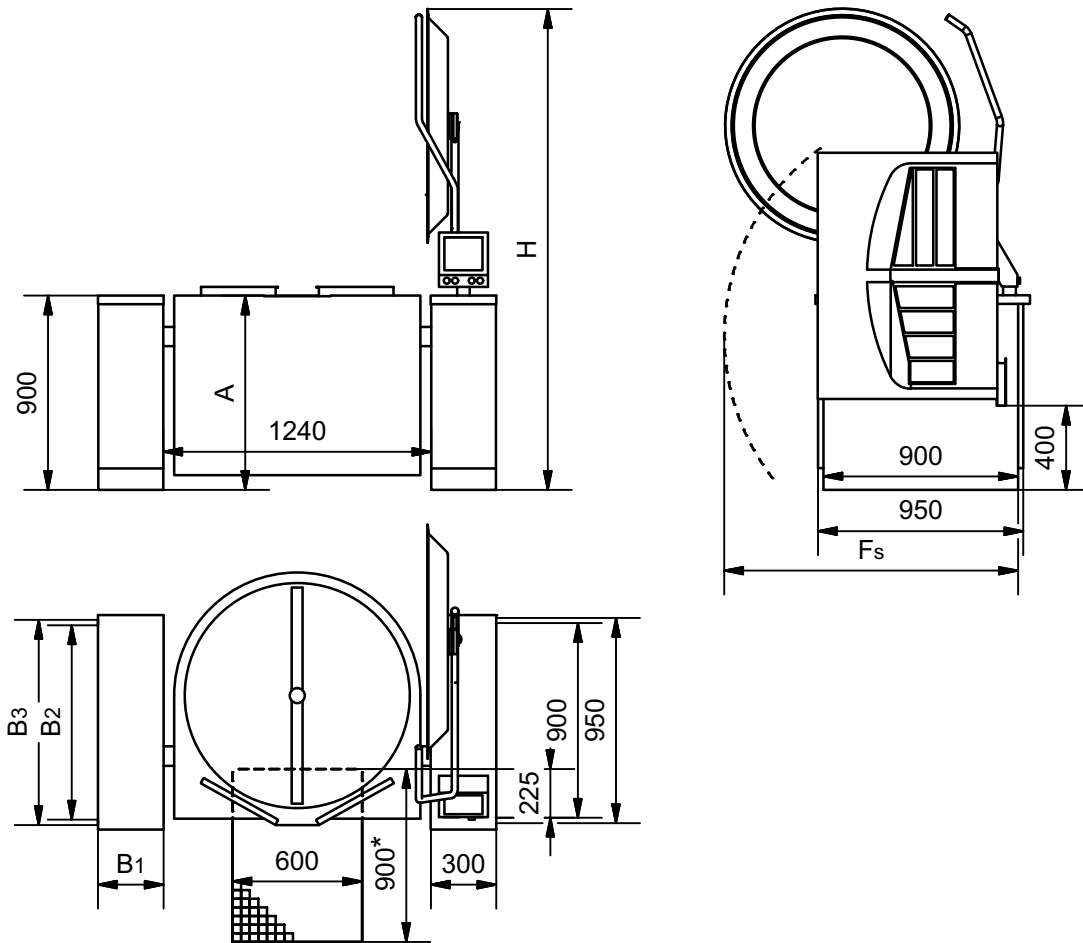
The appliance can be shown with some accessory on the photo.

The control can be mounted either to the right or to the left of the kettle.

Maxi AutoTemp 32, MaxiMix AutoTemp 56 and MaxiMix AutoChef 86 can be combined.

Heating directly with 1 bar steam pressure and the maximum temperature of 120°C.
Steam supply from an external steam generator, or build in electric steam generator.

Dimensions of the kettle and the mounting pillar



Size	A [mm]	Fs [mm]	H [mm]
MaxiMix 400	900	1450	2240
MaxiMix 500	1017	1450	2350

Fs is the shortest distance to enable service.

Bigger distance is recommended in consideration of service and the risk of crushing. National/local regulations must always be observed.

**For kettles with butterfly valves or drain valves, the content can run behind the floor drain when tilting with open valve. This can occur e.g. when cleaning.*

It has to be considered to enlarge the drain cf. dimensions in the section 'Location of the drain valve'.

Dimensions of the support pillars for electric heated kettles.

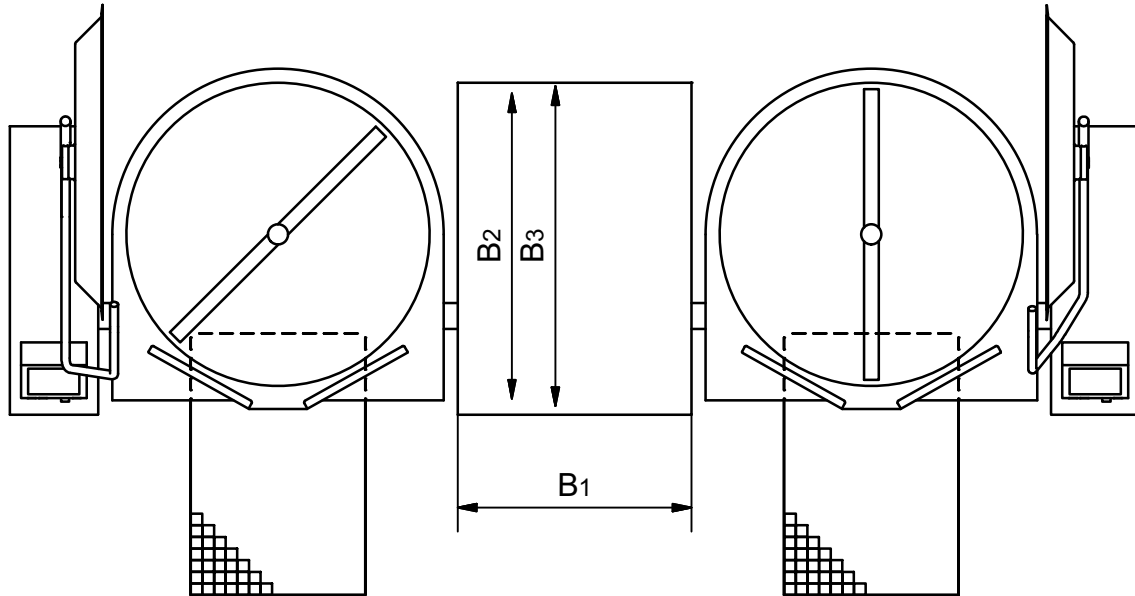
Size	B1 [mm]	B2 [mm]	B3 [mm]	Fs [mm]
300 x 900 mm	300	900	950	1100

Fs is the shortest distance to enable service.

This must be compared with the Fs dimension for the kettle and the biggest Fs dimension must be used.

Dimensions for the support pillars for steam heated kettles

Kettles from the same model can be combined in pairs. The control is mounted in the outer pillars.



Type	B1 [mm]	B2 [mm]	B3 [mm]	Fs [mm]
One steam heated kettle No chilling	300	1050	1100	1450
Two steam heated kettles No chilling	500	1050	1100	1450
One steam heated kettle Chilling with water from the mains supply	400	1050	1100	1450
Two steam heated kettles Chilling with water from the mains supply	600	1050	1100	1450

Fs is the shortest distance to enable service.

This must be compared with the Fs dimension for the kettle and the biggest Fs dimension must be used.

Electric connection for electric heated kettles

In the users manual there is important information regarding supply and connections.

3~230V+PE, 50/60Hz

Size [l]	Power [kW]	Current consumption [A]	Time to boil 10-90°C [min]	Isc [kA] min/max
400	51	138/138/138	47	0,32/20
500	51	138/138/138	63	0,32/20

Leak current under 1 mA.



3~400V+PE, 50/60Hz

Size [l]	Power [kW]	Current consumption [A]	Time to boil 10-90°C [min]	Isc [kA] min/max
400	63	95/95/95	38	0,25/10
500	63	95/95/95	47	0,25/10

Leak current under 10 mA.

3~440V+PE, 50/60Hz

Size [l]	Power [kW]	Current consumption [A]	Time to boil 10-90°C [min]	Isc [kA] min/max
400	63	87/87/87	38	0,25/6
500	63	87/87/87	47	0,25/6

Leak current under 10 mA.

Electric connection for steam heated kettles.

In the users manual there is important information regarding supply and connections.

3~230V+PE, 50/60Hz

Size [l]	Power [kW]	Current consumption [A]	Isc [kA] min/max
400	3,1	19/19/19	0,25/20
500	3,1	19/19/19	0,25/20

Leak current under 1 mA.

3~400V+PE, 50/60Hz

Size [l]	Power [kW]	Current consumption [A]	Isc [kA] min/max
400	3,1	9/9/9	0,16/10
500	3,1	9/9/9	0,16/10

Leak current under 10 mA.

3~440V+PE, 50/60Hz

Size [l]	Power [kW]	Current consumption [A]	Isc [kA] min/max
400	3,1	9/9/9	0,16/6
500	3,1	9/9/9	0,16/6

Leak current under 10 mA.



Water

In the users manual there is important information regarding supply and connections.

Water	Pressure [bar]	Amount [l/min]	Temperature [°C]
Cold	1,5-6	35	-
Hot	1,5-6	35	< 60

Hot water is only used when the kettle is equipped with a spray gun or the possibility to use hot water in the kettle.

Volume

Size [l]	Net [l]	Gross [l]	Diameter [mm]	Depth [mm]
400	400	447	1050	590
500	500	547	1050	707

Ventilation

3~230V+PE, 50/60Hz

Size [l]	Sensible [W]	Latent [W]	Steam [kg/h]
400	1680	9600	14,1
500	1680	9600	14,1

3~400V+PE / 3~440V+PE, 50/60Hz

Size [l]	Sensible [W]	Latent [W]	Steam [kg/h]
400	2100	12000	17,6
500	2100	12000	17,6

The data is based on the German standard VDI 2052 for dimensioning of ventilation facilities.

The values are based on experience with an average product and a normal usage, and the actual demand varies by the efficiency of the appliance, the control and the way of use.

The simultaneity factor, which can be found in VDI 2052 is not taken into account.

Stirrer

Size [l]	Power [kW]	Torque [Nm]	Rounds per minute
400	3,0	477	5-140
500	3,0	477	5-140

Noise from the machine < 55 dB(A).

Steam

*In the users manual there is important information regarding supply and connections.
Only for kettles heated by an external steam generator.*

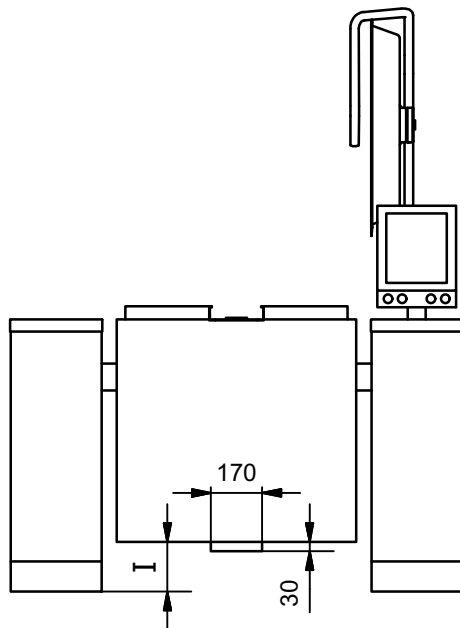
Size [l]	Steam consumption 10-90° (20 min.) [kg/h]
400	227
500	267

Compressed air

*In the users manual there is important information regarding supply and connections.
Only for kettles heated by an external steam generator.*

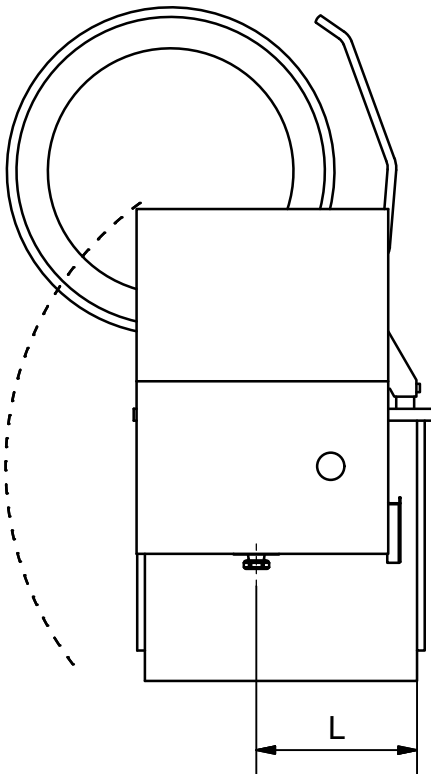
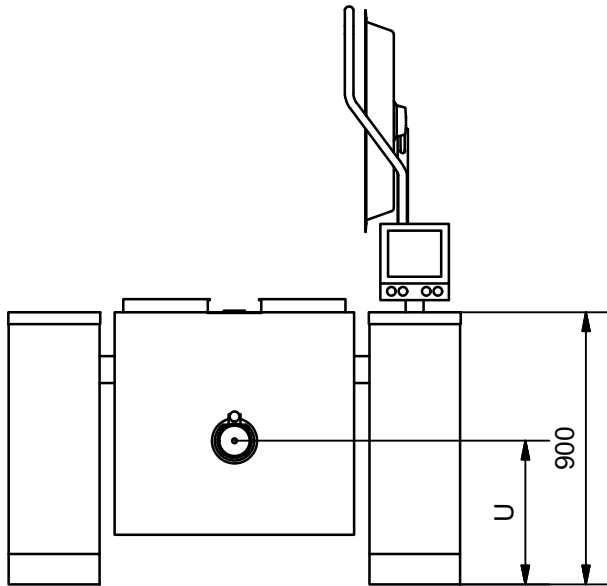
Size	Pressure [bar]	Amount [l/min]
All	7-8	0,5

Distance under the kettle



Size [l]	l [mm]
400	65
500	65

Location of the drain valve



Size [l]	L [mm]	U [mm]
400	535	460
500	535	460

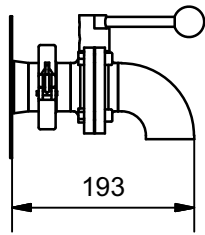
Additional equipment

Butterfly valve with drain downwards

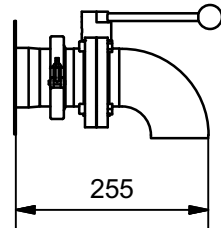
The unit can be dismantled e.g. when cleaning, and a plug to close the pipe when the valves is not mounted is attached.

The angle is welded to the valve, providing a shorter construction.

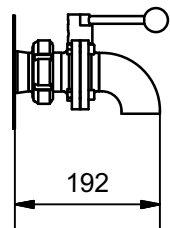
2" ISO Clamp



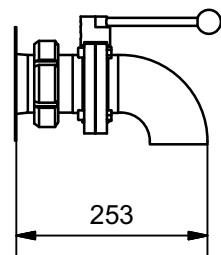
3" ISO Clamp



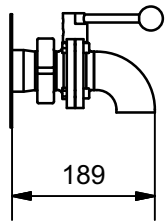
2" SMS



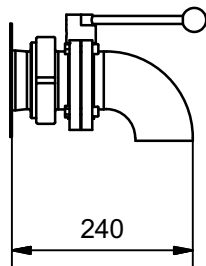
3" SMS



2" DS



3" DS



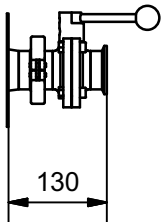
Butterfly valve with connection for a pump

This valve is suitable for connecting a pump to the kettle.

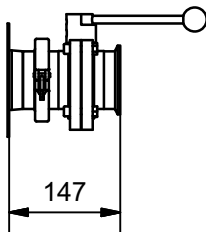
If an angle (accessory) is mounted, the valve can also be used without a pump. e.g. when cleaning.

The unit can be dismantled e.g. when cleaning, and a plug to close the pipe when the valves is not mounted is attached.

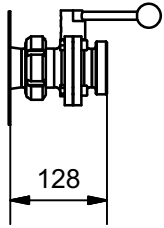
2" ISO Clamp



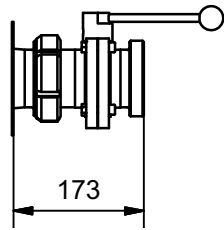
3" ISO Clamp



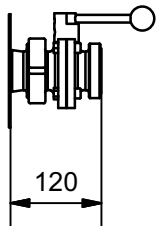
2" SMS



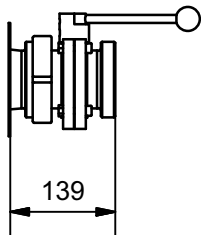
3" SMS



2" DS

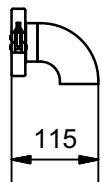


3" DS

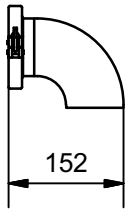


Angles for butterfly valve

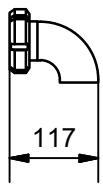
Loose angle for 2" ISO Clamp butterfly valve



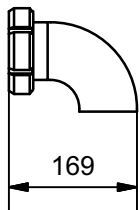
Loose angle for 3" ISO Clamp butterfly valve



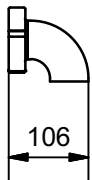
Loose angle for 2" SMS butterfly valve



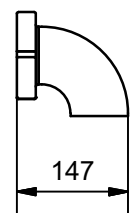
Loose angle for 3" SMS butterfly valve



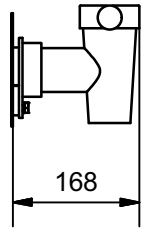
Loose angle for 2" DS butterfly valve



Loose angle for 3" DS butterfly valve

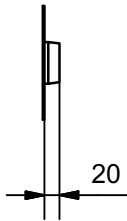


Drain tap, Echtermann type

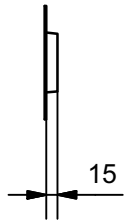


Outlet for customized solution

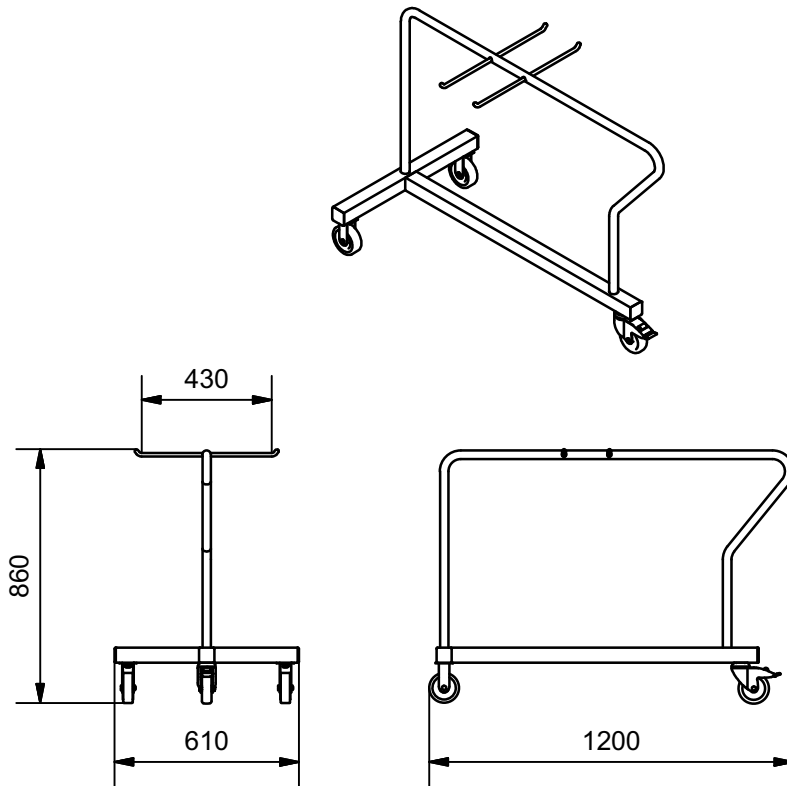
2" outlet



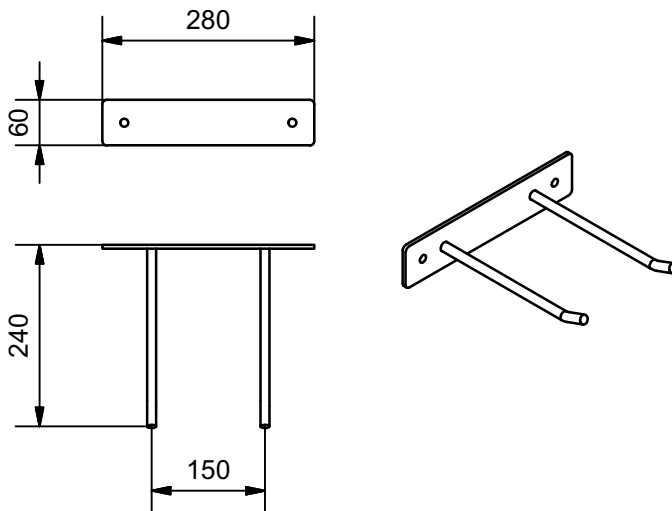
3" outlet



Trolley for accessory



Wall bracket for accessory



Jøni A/S reserve our right to alterations. Reservations against misprints.