



Range model MK

Technical data

10000040464-TDA-000-00



The cooking zones measures 40x40cm and has 3,8kW (3,5kW by 3X230V).



Table of contents

| | |
|--|-----------|
| Range model MK | 1 |
| Table of contents | 2 |
| Technical data | 3 |
| Electric | 3 |
| 3~230V+PE, 50/60Hz | 3 |
| 3~400V+PE, 50/60Hz | 3 |
| 3~440V+PE, 50/60Hz | 3 |
| Ventilation | 3 |
| 3~230V+PE, 50/60Hz | 3 |
| 3~400V+PE / 3~440V+PE, 50/60Hz | 4 |
| Ingress protection class | 4 |
| Dimensions of the product | 5 |
| MK 1 | 5 |
| MK 1, 300mm | 6 |
| MK 1 Vari with undershelf | 7 |
| MK 2 | 8 |
| MK 2, 300mm | 9 |
| MK 2 Vari with undershelf | 10 |
| MK 3 | 11 |
| MK 3, 300mm | 12 |
| MK 3 Vari with undershelf | 13 |
| Additional equipment | 14 |
| Fiddles | 14 |
| Hand rail | 14 |
| Side shelf | 15 |
| Fixing to the floor | 15 |
| Dimensions for installation | 16 |
| MK 1 and MK 1 Vari with undershelf | 16 |
| MK 2 and MK 2 Vari with undershelf | 17 |
| MK 3 and MK 3 Vari with undershelf | 18 |

Technical data

Electric

In the users manual there is important information regarding supply and connections.

3~230V+PE, 50/60Hz

| Type | Zones | Power [kW] | Current consumption [A] |
|------|---------------|------------|-------------------------|
| MK 1 | 2 X 400X400mm | 7 | 26/15/15 |
| MK 2 | 4 X 400X400mm | 14 | 40/40/26 |
| MK 3 | 6 X 400X400mm | 21 | 52/52/52 |

3~400V+PE, 50/60Hz

| Type | Zones | Power [kW] | Current consumption [A] |
|------|---------------|------------|-------------------------|
| MK 1 | 2 X 400X400mm | 7,6 | 17/10/10 |
| MK 2 | 4 X 400X400mm | 15,2 | 25/25/17 |
| MK 3 | 6 X 400X400mm | 22,8 | 33/33/33 |

3~440V+PE, 50/60Hz

| Type | Zones | Power [kW] | Current consumption [A] |
|------|---------------|------------|-------------------------|
| MK 1 | 2 X 400X400mm | 7,6 | 15/9/9 |
| MK 2 | 4 X 400X400mm | 15,2 | 23/23/15 |
| MK 3 | 6 X 400X400mm | 22,8 | 30/30/30 |

Ventilation

3~230V+PE, 50/60Hz

| Type | Sensible [W] | Latent [W] | Steam [kg/h] |
|------|--------------|------------|--------------|
| MK 1 | 1400 | 560 | 0,8 |
| MK 2 | 2800 | 1120 | 1,7 |
| MK 3 | 4200 | 1680 | 2,5 |



3~400V+PE / 3~440V+PE, 50/60Hz

| Type | Sensible [W] | Latent [W] | Steam [kg/h] |
|------|--------------|------------|--------------|
| MK 1 | 1520 | 608 | 0,9 |
| MK 2 | 3040 | 1216 | 1,8 |
| MK 3 | 4200 | 1824 | 2,7 |

The data is based on the German standard VDI 2052 for dimensioning of ventilation facilities.

The values are based on experience with an average product and a normal usage, and the actual demand varies by the efficiency of the appliance, the control and the way of use.

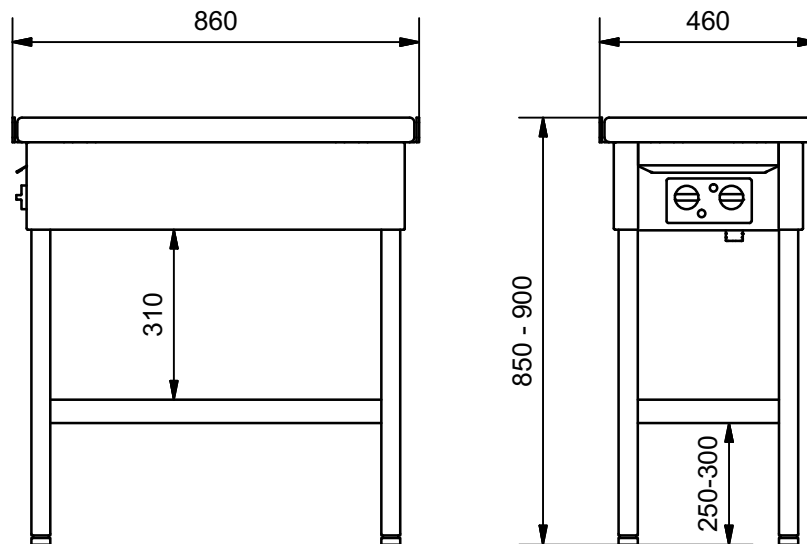
The simultaneity factor, which can be found in VDI 2052 is not taken into account.

Ingress protection class

IPX4

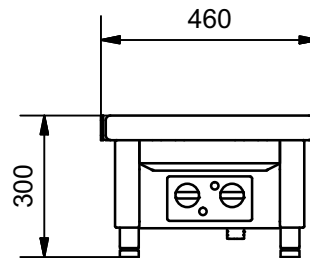
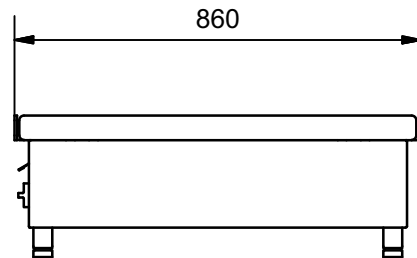
Dimensions of the product

MK 1



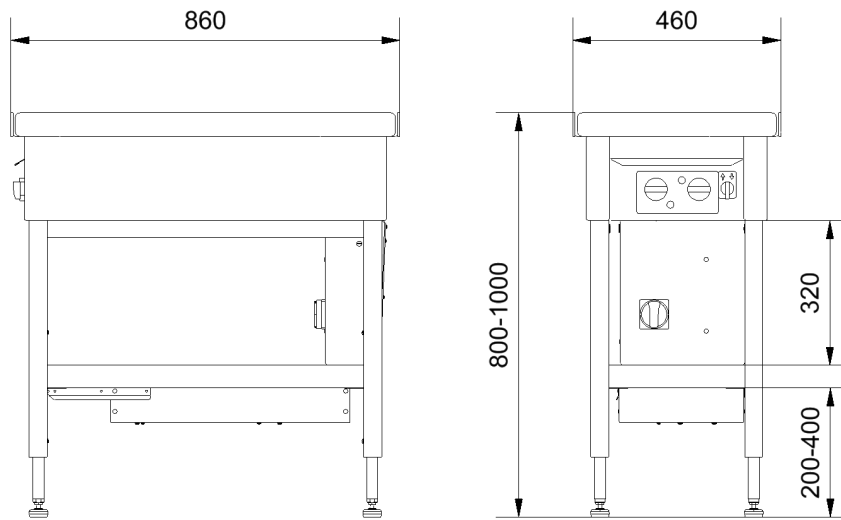
See under the paragraph 'Dimensions for installation' about requirements for space around the appliance.

MK 1, 300mm



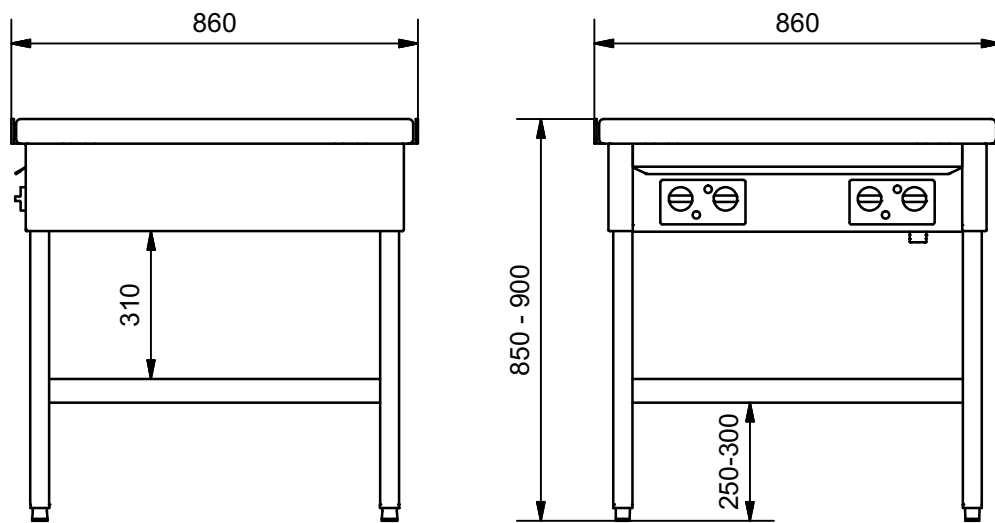
See under the paragraph 'Dimensions for installation' about requirements for space around the appliance.

MK 1 Vari with undershelf



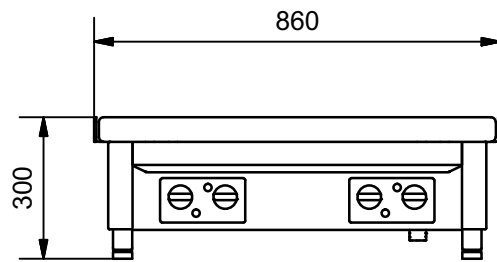
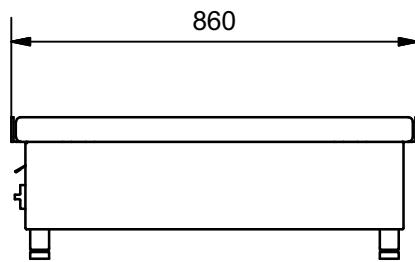
See under the paragraph 'Dimensions for installation' about requirements for space around the appliance.

MK 2



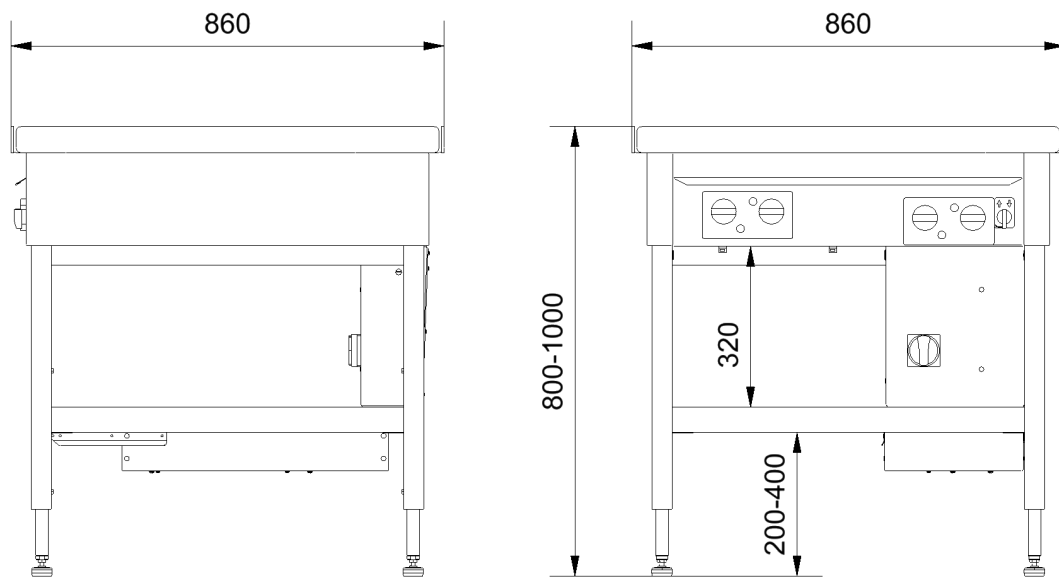
See under the paragraph 'Dimensions for installation' about requirements for space around the appliance.

MK 2, 300mm



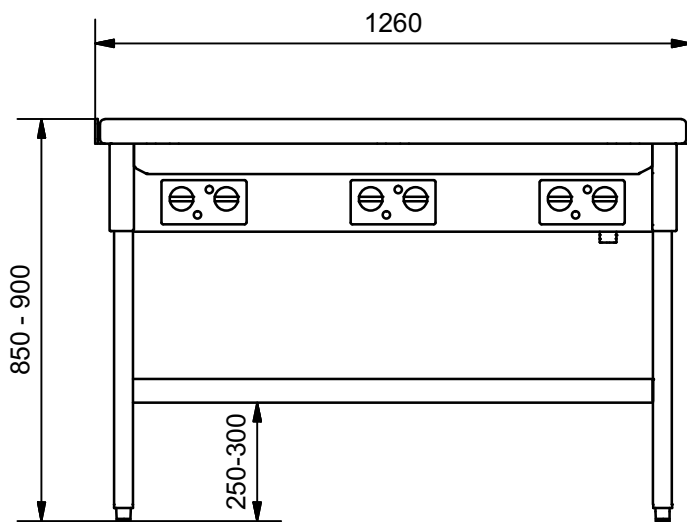
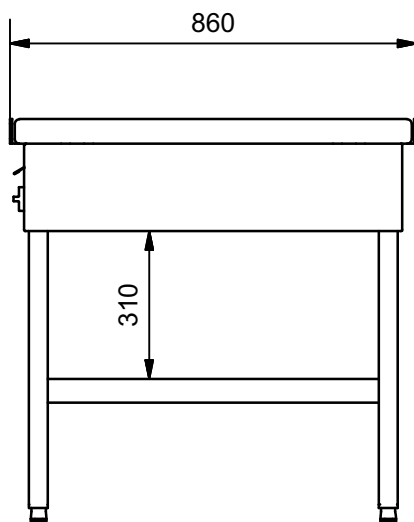
See under the paragraph 'Dimensions for installation' about requirements for space around the appliance.

MK 2 Vari with undershelf



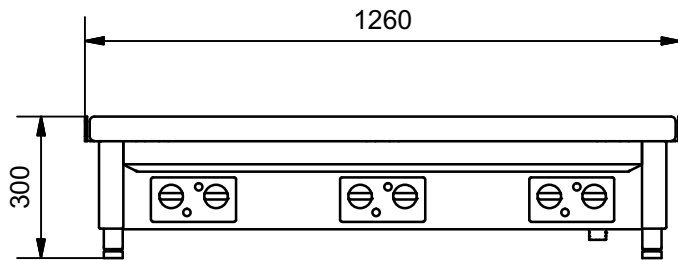
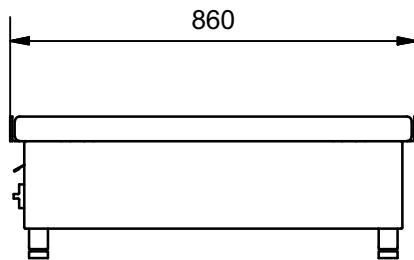
See under the paragraph 'Dimensions for installation' about requirements for space around the appliance.

MK 3



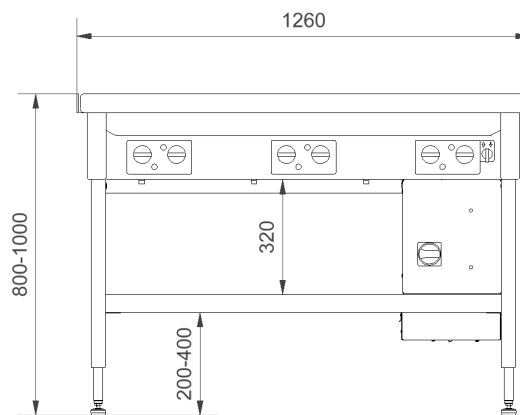
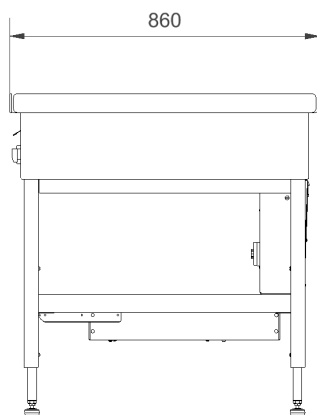
See under the paragraph 'Dimensions for installation' about requirements for space around the appliance.

MK 3, 300mm



See under the paragraph 'Dimensions for installation' about requirements for space around the appliance.

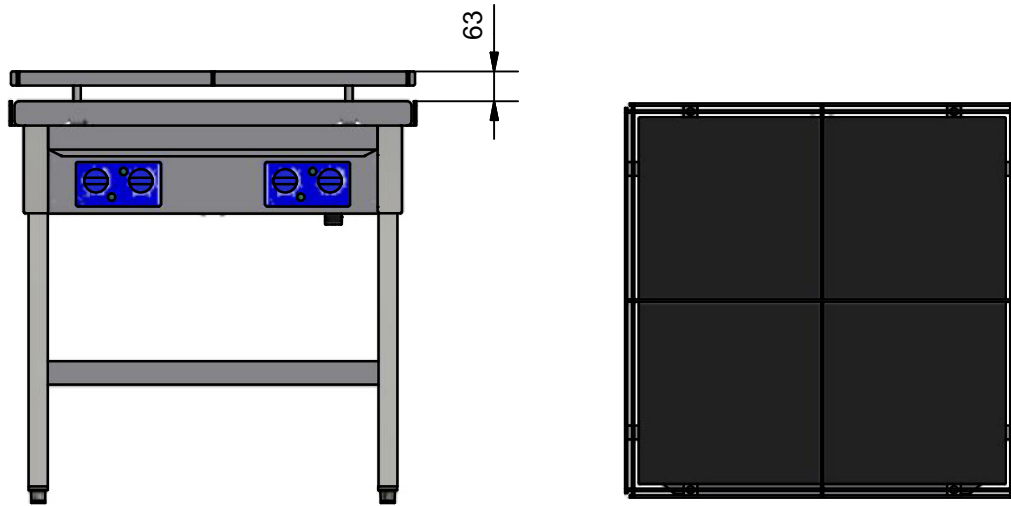
MK 3 Vari with undershelf



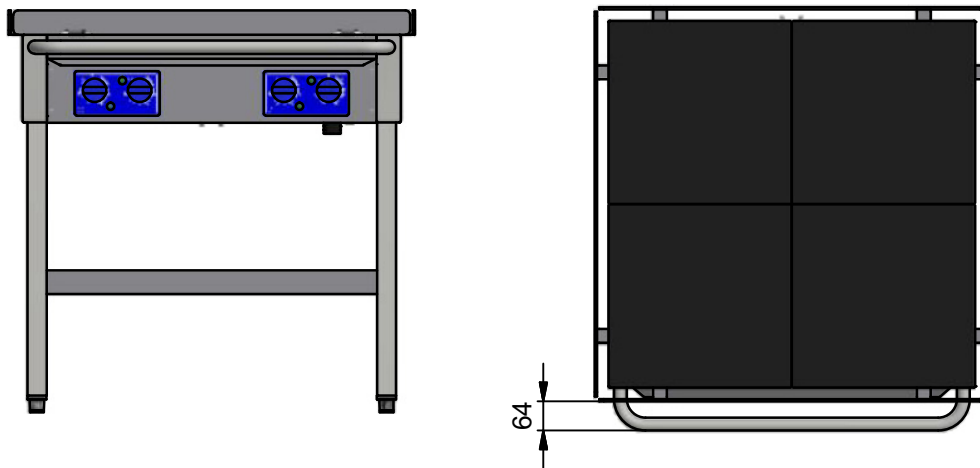
See under the paragraph 'Dimensions for installation' about requirements for space around the appliance.

Additional equipment

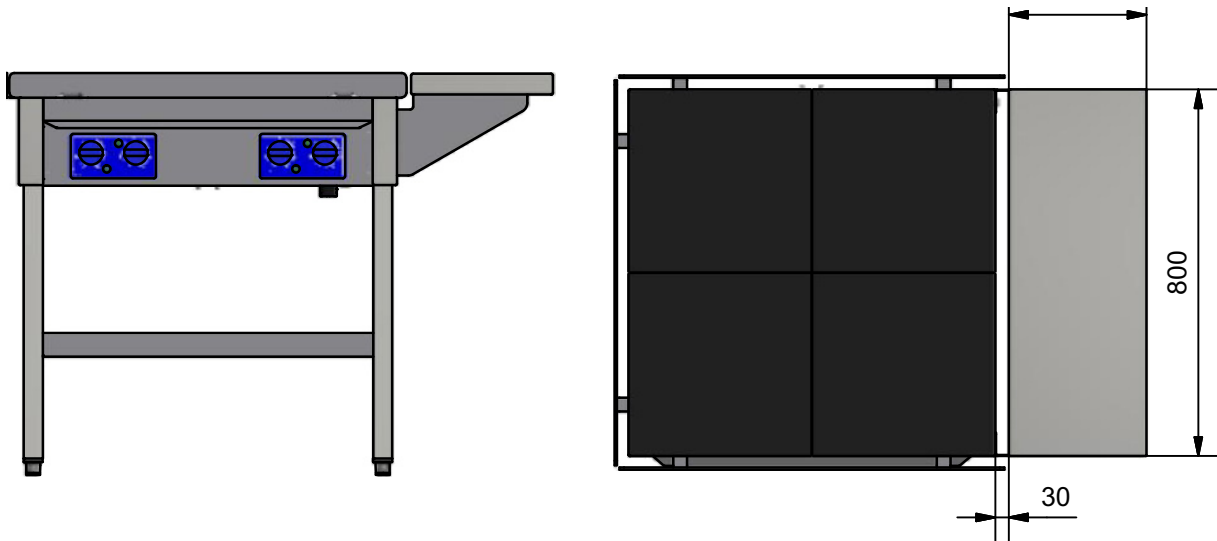
Fiddles



Hand rail

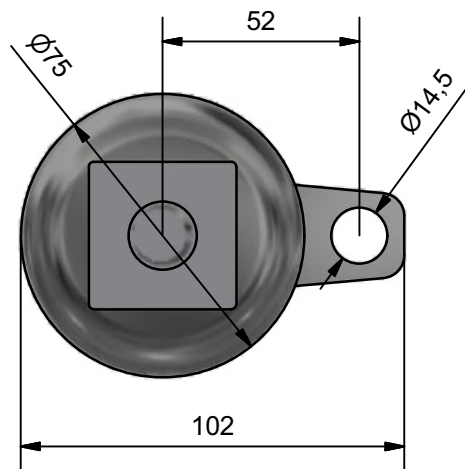
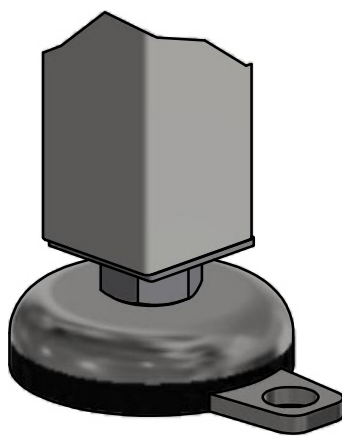


Side shelf



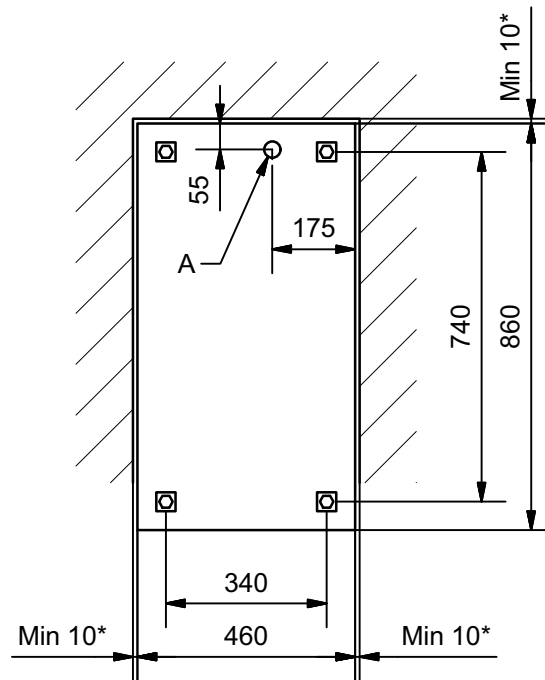
Ranges with two zones and a side shelf must be fixed to the floor.

Fixing to the floor



Dimensions for installation

MK 1 and MK 1 Vari with undershelf

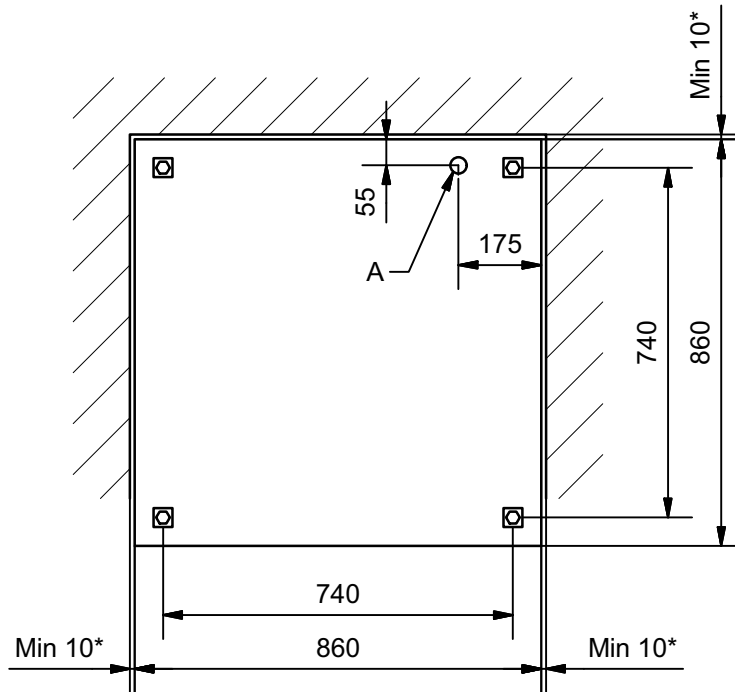


A: Minimum 800mm electrical cable over the floor.

* *Minimum 100mm when placed next to inflammable materials.*

For usage and service purposes a 800 mm minimum clearance is required at the front of the range.

MK 2 and MK 2 Vari with undershelf

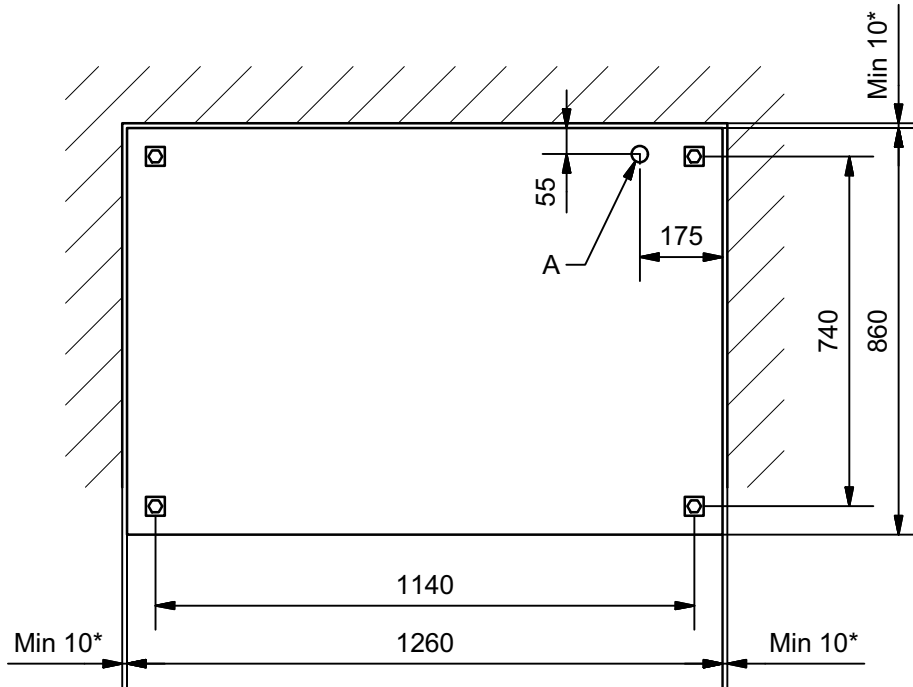


A: Minimum 800mm electrical cable over the floor.

* Minimum 100mm when placed next to inflammable materials.

For usage and service purposes a 800 mm minimum clearance is required at the front of the range.

MK 3 and MK 3 Vari with undershelf



A: Minimum 800mm electrical cable over the floor.

* *Minimum 100mm when placed next to inflammable materials.*

For usage and service purposes a 800 mm minimum clearance is required at the front of the range.