



EasyMobile AutoTemp 02e

Technical data

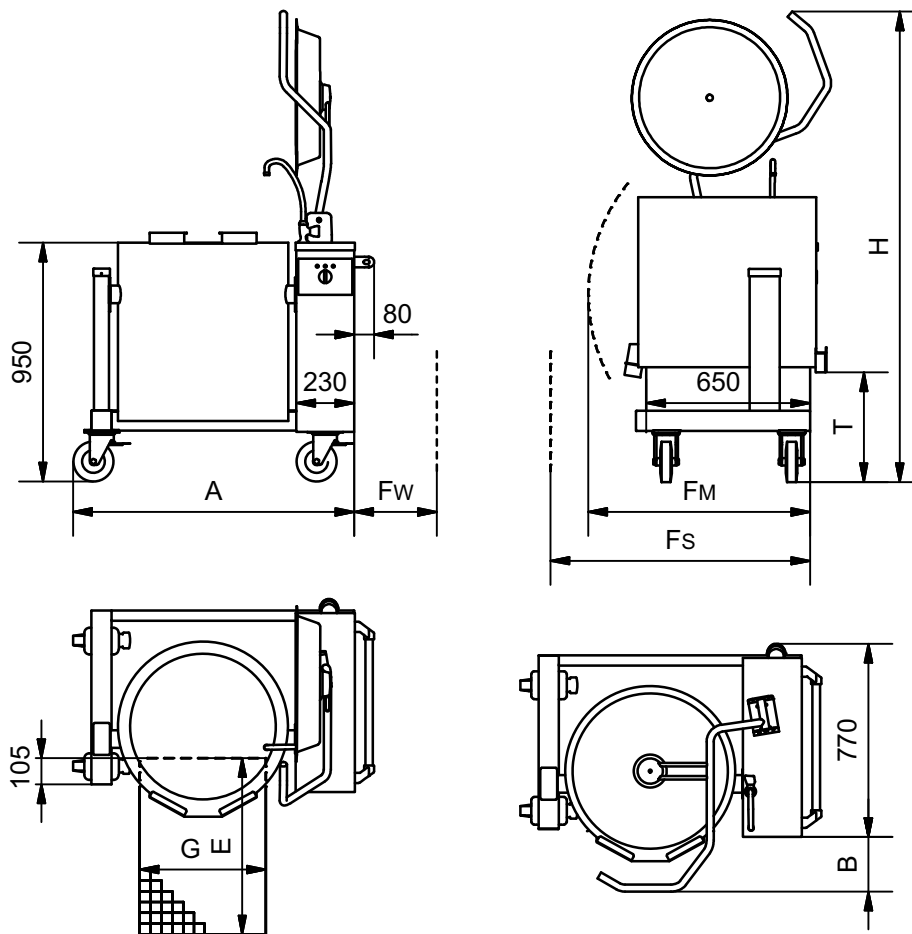
10000030533-DOC-000-01



The appliance can be shown with some accessory on the photo.

Heating indirectly with 1 bar steam pressure and the maximum temperature of 120°C.
Steam from build in electrical steam generator.

Dimensions of the kettle and the mounting pillar



Size	A [mm]	B [mm]	Fm [mm]	Fs [mm]	Fw [mm]	H [mm]	T [mm]	G [mm]	E* [mm]
EasyMobile 40	985	150	730	840	300	1810	440	400	600
EasyMobile 60	1035	175	790	900	300	1850	420	400	600
EasyMobile 80	1065	190	850	960	300	1850	400	500	800
EasyMobile 100	1115	215	900	980	300	1890	380	500	800

Fw is the shortest distance to enable service.

Fm is the shortest distance to enable tilting the kettle. Fs is the shortest distance to enable service.

Bigger distance is recommended in consideration of service and the risk of crushing. National/local regulations must always be observed.

**For kettles with butterfly valves or drain valves, the content can run behind the floor drain when tilting with open valve. This can occur e.g. when cleaning.*

It has to be considered to enlarge the drain cf. dimensions in the section 'Location of the drain valve'.

Electric

In the users manual there is important information regarding supply and connections.



3~230V+PE, 50/60Hz

Size [l]	Power [kW]	Current consumption [A]	Time to boil 10-90°C [min]	Isc [kA] min/max
40	12	28/28/28	19	Max. 35A gG*
60	12	28/28/28	28	Max. 35A gG*
80	12	28/28/28	38	Max. 35A gG*
100	12	28/28/28	47	Max. 35A gG*

* largest allowed backup fuse.

3~400V / 3~400V+N

Size [l]	Power [kW]	Current consumption [A]	Time to boil 10-90°C [min]	Isc [kA] min/max
40	15	22/22/22	15	Max. 35A gG*
60	15	22/22/22	23	Max. 35A gG*
80	15	22/22/22	30	Max. 35A gG*
100	20	29/29/29	28	Max. 35A gG*

* largest allowed backup fuse.

3~440V+PE, 50/60Hz

Size [l]	Power [kW]	Current consumption [A]	Time to boil 10-90°C [min]	Isc [kA] min/max
40	15	20/20/20	15	Max. 35A gG*
60	15	20/20/20	23	Max. 35A gG*
80	15	20/20/20	30	Max. 35A gG*
100	20	26/26/26	28	Max. 35A gG*

* largest allowed backup fuse.

Water

In the users manual there is important information regarding supply and connections.

Water	Pressure [bar]	Amount [l/min]	Temperature [°C]
Cold	1,5-6	35	-
Hot	1,5-6	35	< 60

Hot water is only used when the kettle is equipped with a spray gun.



Volume

Size [l]	Net [l]	Gross [l]	Diameter [mm]	Depth [mm]
40	40	48	452	337
60	60	70	501	397
80	80	91	531	455
100	100	113	581	475

Ventilation

3~230V+PE, 50/60Hz

Size [l]	Sensible [W]	Latent [W]	Steam [kg/h]
40	420	2400	3,6
60	420	2400	3,6
80	420	2400	3,6
100	420	2400	3,6

3~400V+PE / 3~440V+PE, 50/60Hz

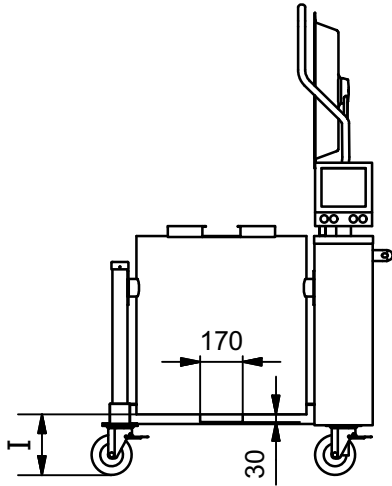
Size [l]	Sensible [W]	Latent [W]	Steam [kg/h]
40	525	3000	4,4
60	525	3000	4,4
80	525	3000	4,4
100	700	4000	5,9

The data is based on the German standard VDI 2052 for dimensioning of ventilation facilities.

The values are based on experience with an average product and a normal usage, and the actual demand varies by the efficiency of the appliance, the control and the way of use.

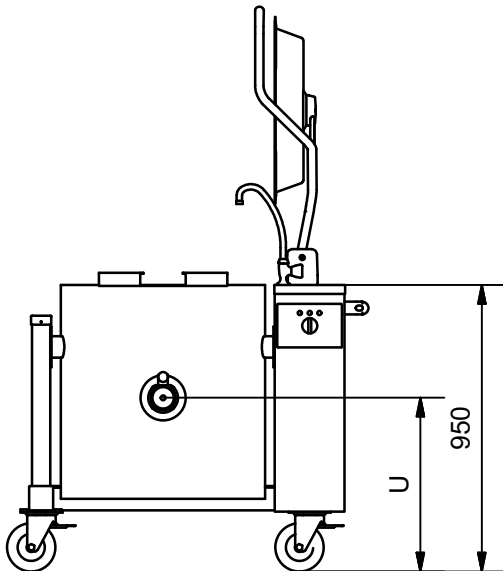
The simultaneity factor, which can be found in VDI 2052 is not taken into account.

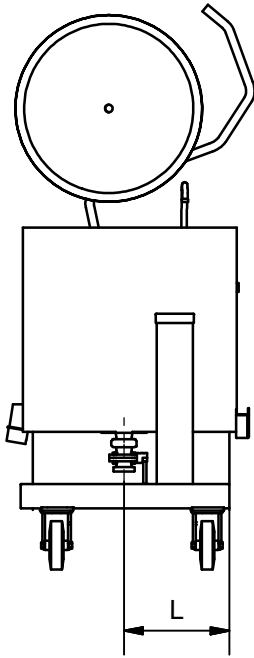
Distance under the kettle



Size [l]	l [mm]
40	380
60	320
80	260
100	240

Location of the drain valve





Size [l]	L [mm]	U [mm]
40	215	705
60	280	640
80	335	585
100	345	575

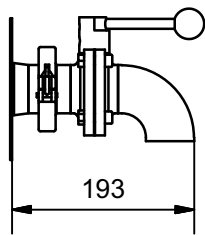
Additional equipment

Butterfly valve with drain downwards

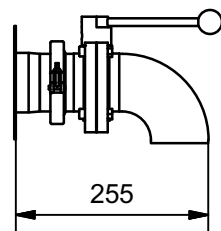
The unit can be dismantled e.g. when cleaning, and a plug to close the pipe when the valves is not mounted is attached.

The angle is welded to the valve, providing a shorter construction.

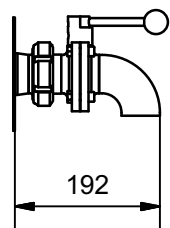
2" ISO Clamp



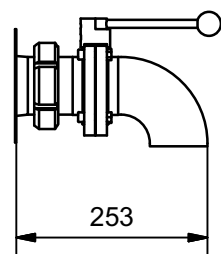
3" ISO Clamp



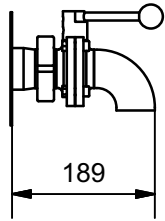
2" SMS



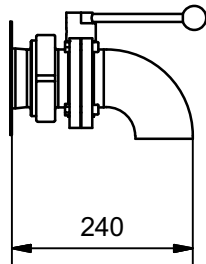
3" SMS



2" DS



3" DS



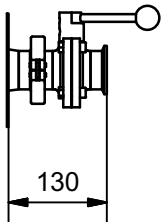
Butterfly valve with connection for a pump

This valve is suitable for connecting a pump to the kettle.

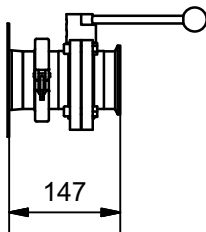
If an angle (accessory) is mounted, the valve can also be used without a pump. e.g. when cleaning.

The unit can be dismantled e.g. when cleaning, and a plug to close the pipe when the valves is not mounted is attached.

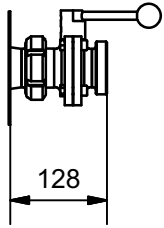
2" ISO Clamp



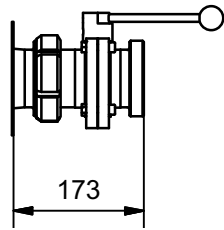
3" ISO Clamp



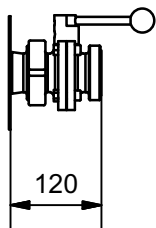
2" SMS



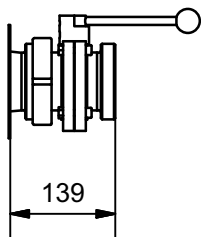
3" SMS



2" DS

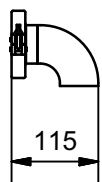


3" DS

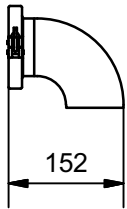


Angles for butterfly valve

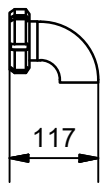
Loose angle for 2" ISO Clamp butterfly valve



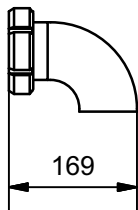
Loose angle for 3" ISO Clamp butterfly valve



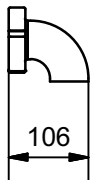
Loose angle for 2" SMS butterfly valve



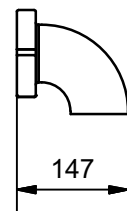
Loose angle for 3" SMS butterfly valve



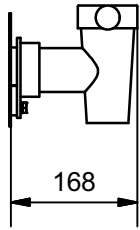
Loose angle for 2" DS butterfly valve



Loose angle for 3" DS butterfly valve

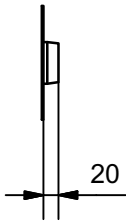


Drain tap, Echtermann type

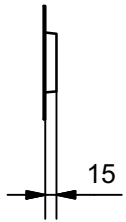


Outlet for customized solution

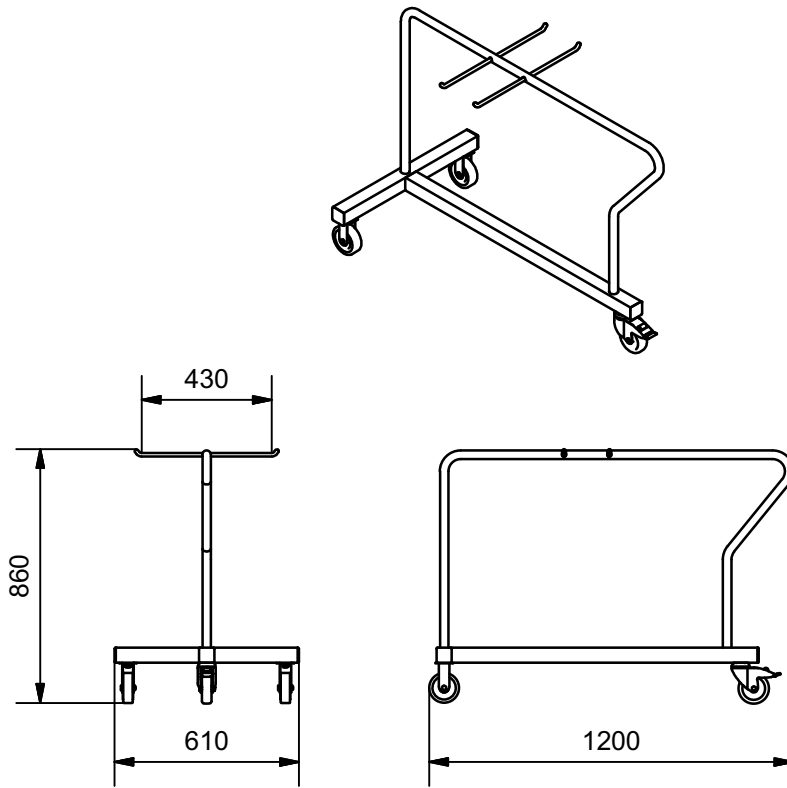
2" outlet



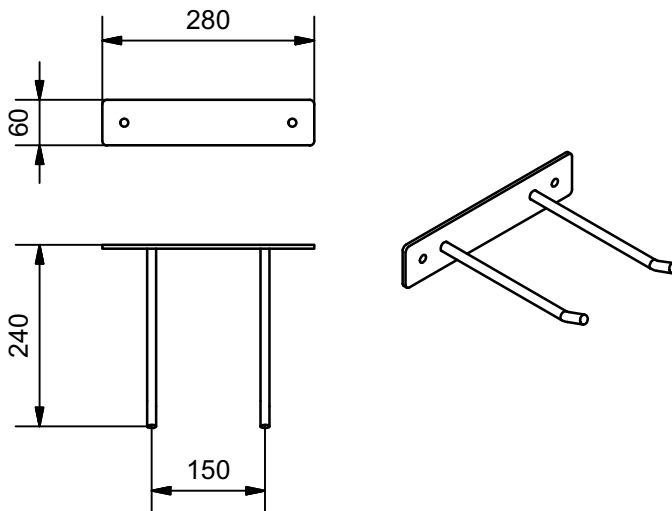
3" outlet



Trolley for accessory



Wall bracket for accessory



Jøni A/S reserve our right to alterations. Reservations against misprints.