

Frying pan model StePa

Technical data

10000039100-TDA-000-04



StePa 225 has one zone.

StePa 425 and StePa 675 have two zones controlled separately.

The temperature can be adjusted between 50-250°C.

In the standard version StePa has a hinged lid, electric tilt and an air curtain with fan in the right side.

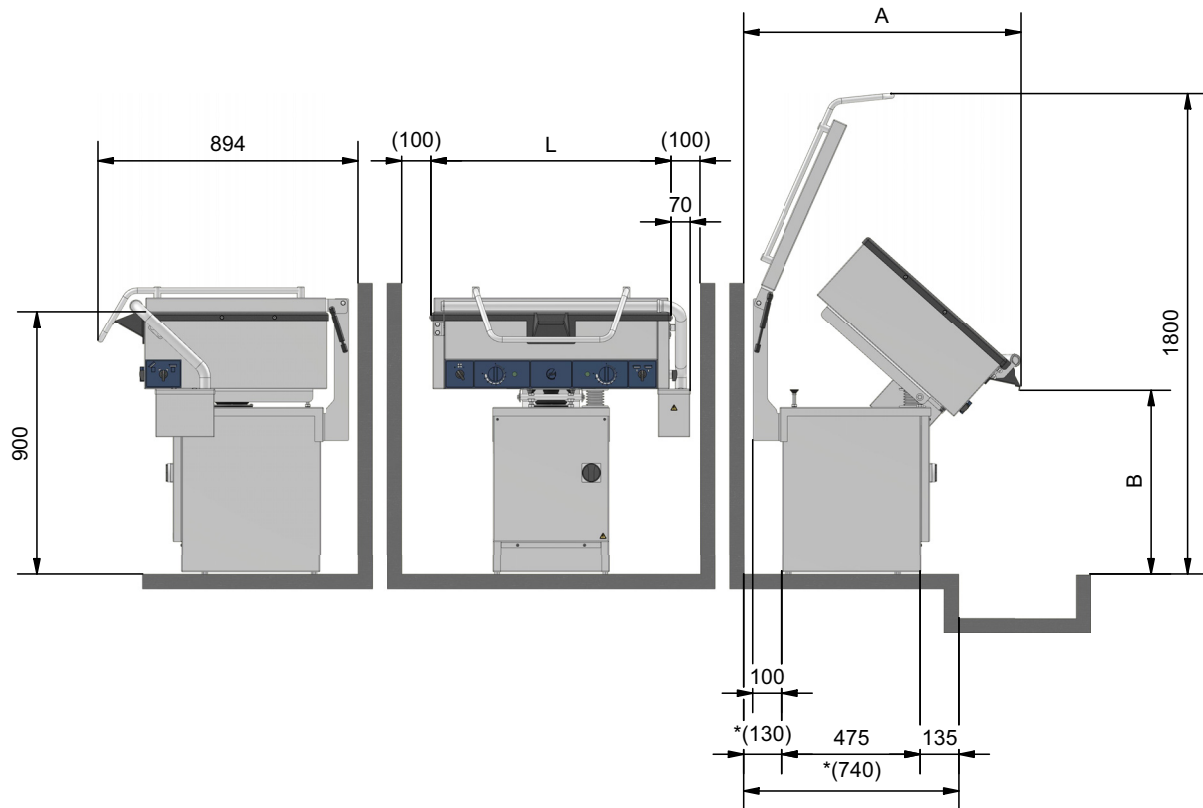
The pan is available in steel or stainless steel and in depth of 65 or 120 mm.

All sizes are available with the following bases:

- On pillar
- On height adjustable pillar (Vari)
- On legs (Stand)
- On height adjustable legs (Stand Vari)

Dimensions of the product

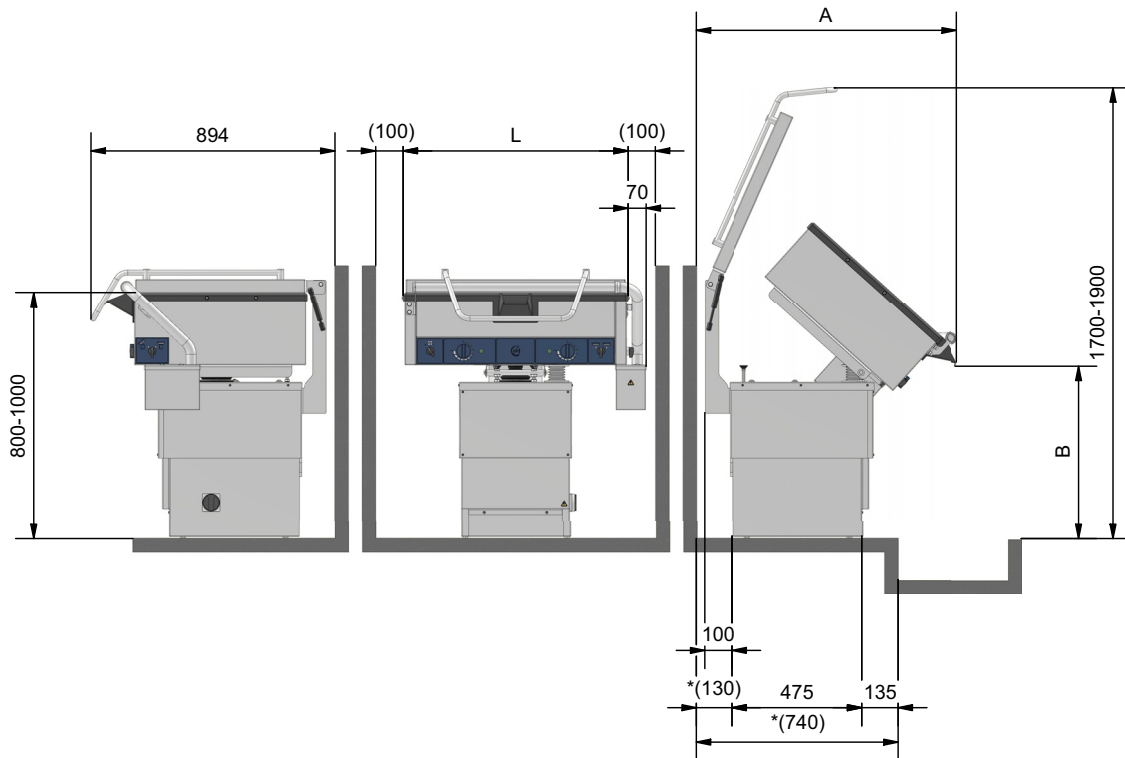
StePa



Measurements given in brackets are recommended minimum values for reasons of service and cleaning. Dimensions indicated with "*" it is recommended to add 100 mm.

Type	L [mm]	Internal dimensions [mm]	Volume [l]	A [mm]	B [mm]
StePa 225	640	520x470x65	17	930	680
StePa 225D	640	520x470x120	31	950	630
StePa 425	825	705x520x65	25	930	680
StePa 425D	825	705x520x120	47	950	630
StePa 675	1060	940x520x65	34	930	680
StePa 675D	1060	940x520x120	62	950	630

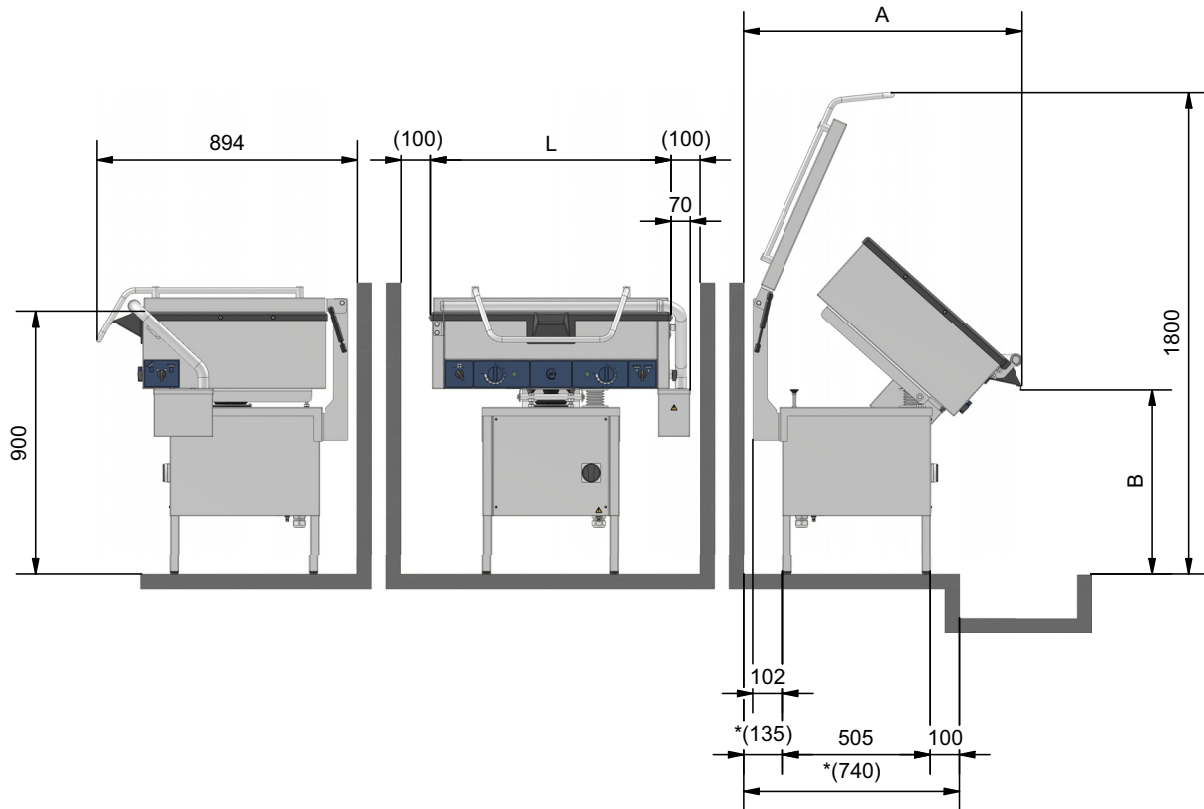
StePa Vari



Measurements given in brackets are recommended minimum values for reasons of service and cleaning. Dimensions indicated with "*" it is recommended to add 100 mm.

Type	L [mm]	Internal dimensions [mm]	Volume [l]	A [mm]	B [mm]
StePa 225	640	520x470x65	17	930	680
StePa 225D	640	520x470x120	31	950	630
StePa 425	825	705x520x65	25	930	680
StePa 425D	825	705x520x120	47	950	630
StePa 675	1060	940x520x65	34	930	680
StePa 675D	1060	940x520x120	62	950	630

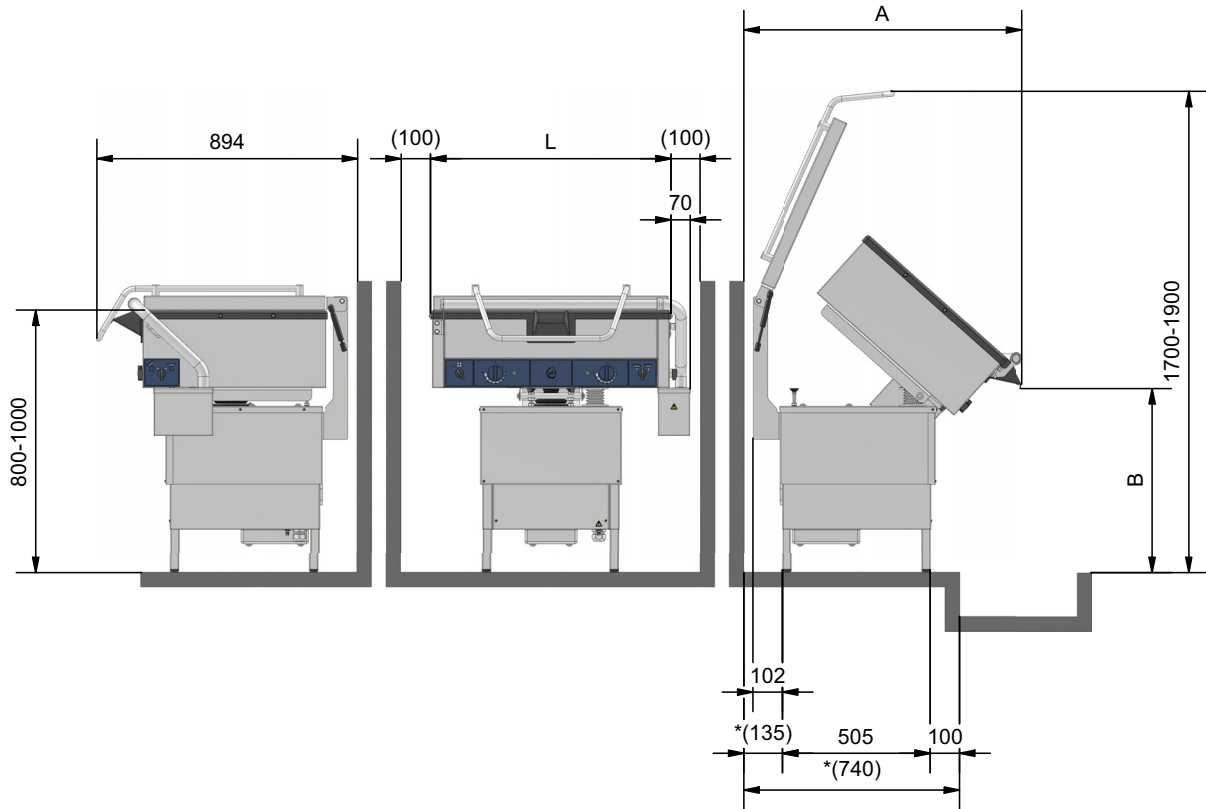
StePa Stand



Measurements given in brackets are recommended minimum values for reasons of service and cleaning. Dimensions indicated with "*" it is recommended to add 100 mm.

Type	L [mm]	Internal dimensions [mm]	Volume [l]	A [mm]	B [mm]
StePa 225	640	520x470x65	17	930	680
StePa 225D	640	520x470x120	31	950	630
StePa 425	825	705x520x65	25	930	680
StePa 425D	825	705x520x120	47	950	630
StePa 675	1060	940x520x65	34	930	680
StePa 675D	1060	940x520x120	62	950	630

StePa Stand Vari



Measurements given in brackets are recommended minimum values for reasons of service and cleaning. Dimensions indicated with "*" it is recommended to add 100 mm.

Type	L [mm]	Internal dimensions [mm]	Volume [l]	A [mm]	B [mm]
StePa 225	640	520x470x65	17	930	680
StePa 225D	640	520x470x120	31	950	630
StePa 425	825	705x520x65	25	930	680
StePa 425D	825	705x520x120	47	950	630
StePa 675	1060	940x520x65	34	930	680
StePa 675D	1060	940x520x120	62	950	630

Technical data

High power

Electric

In the users manual there is important information regarding supply and connections.

Important: StePa Stand Vari must be connected to a repair switch disconnecter in the fixed installation. The repair switch disconnecter can be a plug (e.g. CEE), if it can be secured against unintentional connection.

3~230V+PE, 50/60Hz

Type	Power [kW]	Current consumption [A]
StePa 225	8,8	25/25/17
StePa 425	13,2	33/33/33
StePa 675	17,6	42/50/42

3~400V+N+PE, 50/60Hz

Type	Power [kW]	Current consumption [A]
StePa 225	8,8	19/10/10
StePa 425	13,2	19/19/19
StePa 675	17,6	29/29/19

3~400V+PE, 50/60Hz

Type	Power [kW]	Current consumption [A]
StePa 225	8,8	15/15/10
StePa 425	13,2	19/19/19
StePa 675	17,6	29/29/24

3~440V+PE, 50/60Hz

Type	Power [kW]	Current consumption [A]
StePa 225	8,1	16/9/9
StePa 425	12	16/16/16
StePa 675	16	24/16/24

Ventilation

The data is based on the German standard VDI 2052 for dimensioning of ventilation facilities.



The values are based on experience with an average product and a normal usage, and the actual demand varies by the efficiency of the appliance, the control and the way of use. The simultaneity factor, which can be found in VDI 2052 is not taken into account.

230V and 400V

Type	Sensible [W]	Latent [W]	Steam [kg/h]
StePa 225	3960	3520	5,2
StePa 425	5940	5280	7,8
StePa 675	7920	7040	10,3

440V

Type	Sensible [W]	Latent [W]	Steam [kg/h]
StePa 225	3645	3240	4,8
StePa 425	5400	4800	7,1
StePa 675	7200	6400	9,4

Low power

Electric

In the users manual there is important information regarding supply and connections.

Important: StePa Stand Vari must be connected to a repair switch disconnecter in the fixed installation. The repair switch disconnecter can be a plug (e.g. CEE), if it can be secured against unintentional connection.

3~230V+PE, 50/60Hz

Type	Power [kW]	Current consumption [A]
StePa 225	6,0	17/17/11
StePa 425	9,0	23/23/23
StePa 675	12,0	29/34/29

3~400V+N+PE, 50/60Hz

Type	Power [kW]	Current consumption [A]
StePa 225	6	13/7/7
StePa 425	9	13/13/13
StePa 675	12	20/20/13



3~400V+PE, 50/60Hz

Type	Power [kW]	Current consumption [A]
StePa 225	6	14/8/8
StePa 425	9	14/14/14
StePa 675	12	22/14/14

3~440V+PE, 50/60Hz

Type	Power [kW]	Current consumption [A]
StePa 225	5,5	11/6/6
StePa 425	8,3	11/11/11
StePa 675	11	17/11/17

Ventilation

The data is based on the German standard VDI 2052 for dimensioning of ventilation facilities.

The values are based on experience with an average product and a normal usage, and the actual demand varies by the efficiency of the appliance, the control and the way of use.

The simultaneity factor, which can be found in VDI 2052 is not taken into account.

230V and 400V

Type	Sensible [W]	Latent [W]	Steam [kg/h]
StePa 225	2700	2400	3,5
StePa 425	4050	3600	5,3
StePa 675	5400	4800	7,1

440V

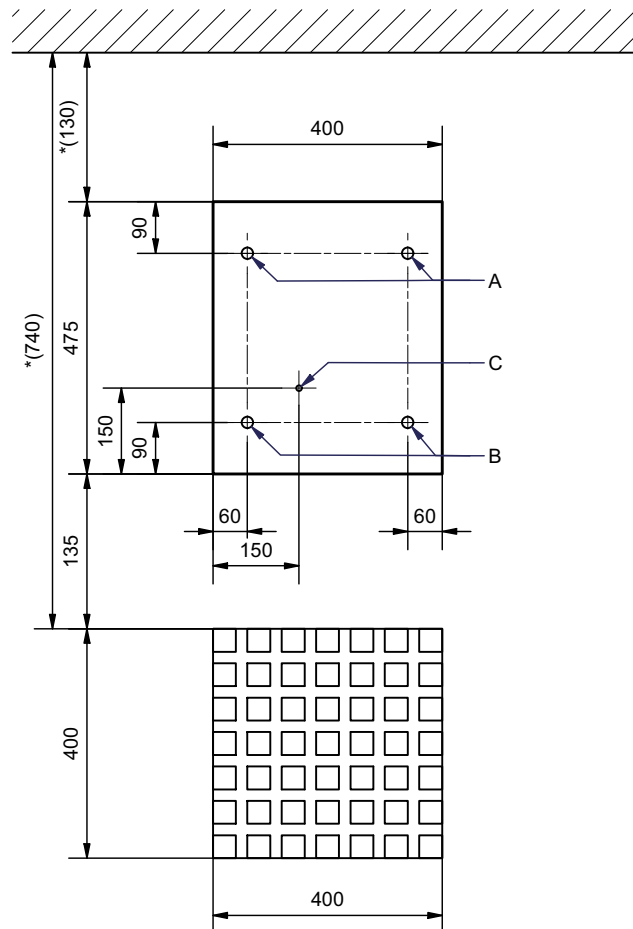
Type	Sensible [W]	Latent [W]	Steam [kg/h]
StePa 225	2475	2200	3,2
StePa 425	3735	3320	4,9
StePa 675	4950	4400	6,5

Ingress protection class

IPX4

Dimensions for installation

StePa on fixed or height adjustable pillar



Measurements given in brackets are recommended minimum values for reasons of service and cleaning. Dimensions indicated with "*" it is recommended to add 100 mm.

A: 2 pc. M12 bolts in stainless steel. 130 mm above the floor.

B: 2 pc. M12 bolts in stainless steel. 90 mm above the floor.

C: Cabel 600 mm above the floor.