



EasyStand AutoTemp 02e

Technical data

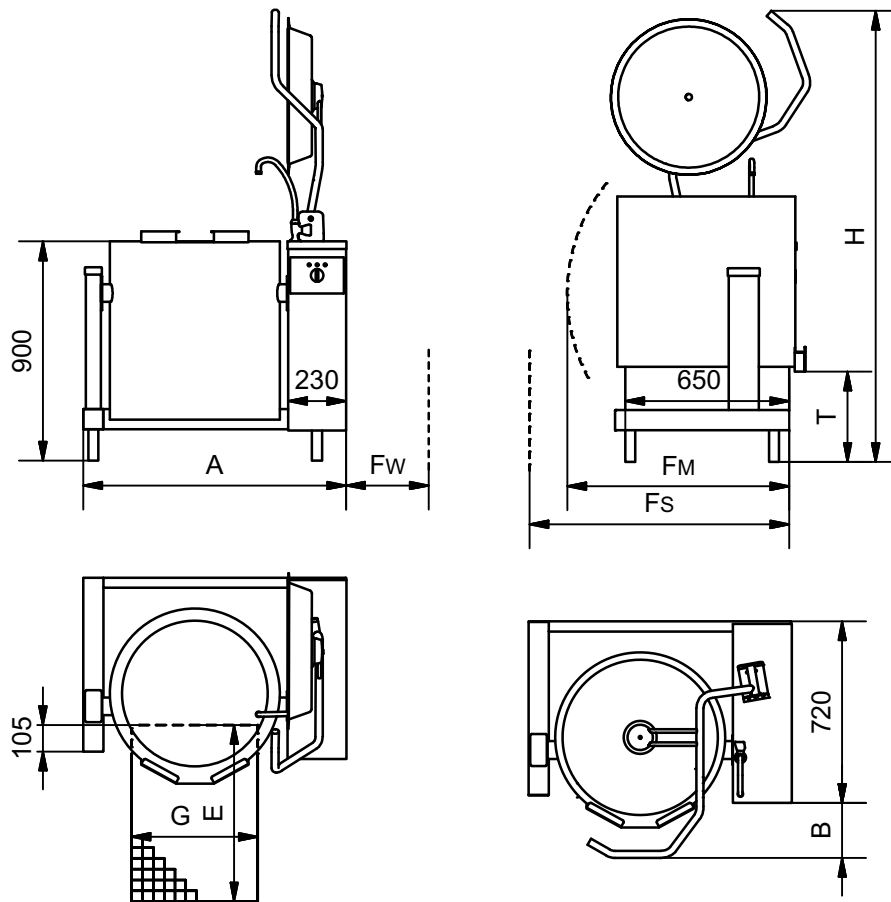
1000003537-TDA-000-00



The appliance can be shown with some accessory on the photo.

Heating indirectly with 1 bar steam pressure and the maximum temperature of 120°C.
Steam from build in electrical steam generator.

Dimensions of the kettle and the mounting pillar



Size	A [mm]	B [mm]	Fm [mm]	Fs [mm]	Fw [mm]	H [mm]	T [mm]	G [mm]	E* [mm]
EasyStand 40	915	150	730	840	300	1760	440	400	600
EasyStand 60	965	175	790	900	300	1800	420	400	600
EasyStand 80	995	190	850	960	300	1800	400	500	800
EasyStand 100	1045	215	900	980	300	1840	380	500	800

Fw is the shortest distance to enable service.

Fm is the shortest distance to enable tilting the kettle. Fs is the shortest distance to enable service.

Bigger distance is recommended in consideration of service and the risk of crushing. National/local regulations must always be observed.

**For kettles with butterfly valves or drain valves, the content can run behind the floor drain when tilting with open valve. This can occur e.g. when cleaning.*

It has to be considered to enlarge the drain cf. dimensions in the section 'Location of the drain valve'.

Electric

In the users manual there is important information regarding supply and connections.



3~230V+PE, 50/60Hz

Size [l]	Power [kW]	Current consumption [A]	Time to boil 10-90°C [min]	Isc [kA] min/max
40	12	28/28/28	19	Max. 35A gG*
60	12	28/28/28	28	Max. 35A gG*
80	12	28/28/28	38	Max. 35A gG*
100	12	28/28/28	47	Max. 35A gG*

* largest allowed backup fuse.

3~400V / 3~400V+N

Size [l]	Power [kW]	Current consumption [A]	Time to boil 10-90°C [min]	Isc [kA] min/max
40	15	22/22/22	15	Max. 35A gG*
60	15	22/22/22	23	Max. 35A gG*
80	15	22/22/22	30	Max. 35A gG*
100	20	29/29/29	28	Max. 35A gG*

* largest allowed backup fuse.

3~440V+PE, 50/60Hz

Size [l]	Power [kW]	Current consumption [A]	Time to boil 10-90°C [min]	Isc [kA] min/max
40	15	20/20/20	15	Max. 35A gG*
60	15	20/20/20	23	Max. 35A gG*
80	15	20/20/20	30	Max. 35A gG*
100	20	26/26/26	28	Max. 35A gG*

* largest allowed backup fuse.

Energy efficiency

The kettels have an energy efficiency of 95%, measured by the EFCEM's standard.

The measurements are made with 400V supply, voltage but depending on the actual supply voltage, accessory, size, ect. energy efficiency may differ slightly.

Water

In the users manual there is important information regarding supply and connections.

Water	Pressure [bar]	Amount [l/min]	Temperature [°C]
Cold	1,5-6	35	-
Hot	1,5-6	35	< 60

Hot water is only used when the kettle is equipped with a spray gun.



Volume

Size [l]	Net [l]	Gross [l]	Diameter [mm]	Depth [mm]
40	40	48	452	337
60	60	70	501	397
80	80	91	531	455
100	100	113	581	475

Weight

Size	Transportation weight* [kg]	Weight in use** [kg]
EasyStand 40 AutoTemp 02e	146	209
EasyStand 60 AutoTemp 02e	154	243
EasyStand 80 AutoTemp 02e	168	281
EasyStand 100 AutoTemp 02e	181	321

* 'Transportation weight' includes a support pillar in the same dimensions as the control pillar. The weight is without water in the steam generator and without accessory.

** 'Weight in use' includes a support in the same dimensions as the control pillar, a completely with water filled steam generator and the kettle filled by water to the brim. The weight is without accessory.

Ventilation

3~230V+PE, 50/60Hz

Size [l]	Sensible [W]	Latent [W]	Steam [kg/h]
40	420	2400	3,6
60	420	2400	3,6
80	420	2400	3,6
100	420	2400	3,6

3~400V+PE / 3~440V+PE, 50/60Hz

Size [l]	Sensible [W]	Latent [W]	Steam [kg/h]
40	525	3000	4,4
60	525	3000	4,4
80	525	3000	4,4
100	700	4000	5,9

The data is based on the German standard VDI 2052 for dimensioning of ventilation facilities.

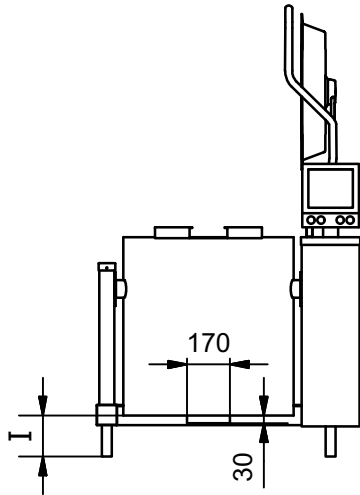
The values are based on experience with an average product and a normal usage, and the actual demand varies by the efficiency of the appliance, the control and the way of use.

The simultaneity factor, which can be found in VDI 2052 is not taken into account.

Noise

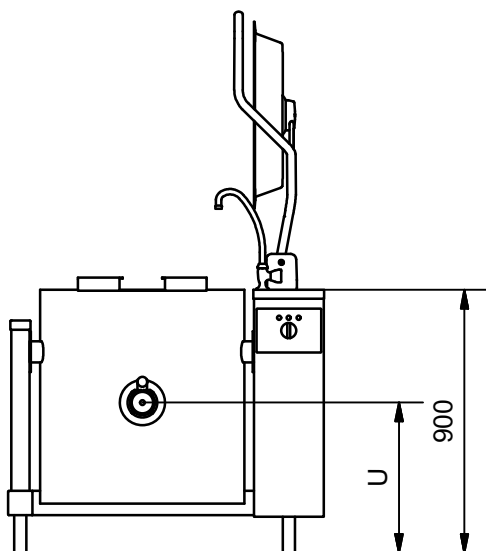
Noise from the machine < 60 dB(A).

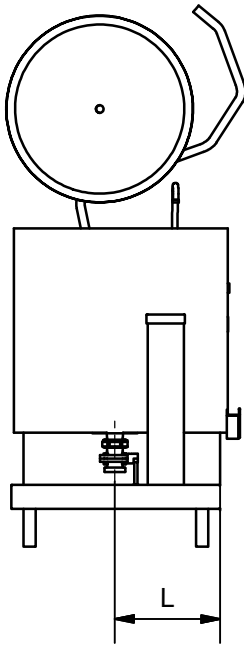
Distance under the kettle



Size [l]	l [mm]
40	330
60	270
80	210
100	190

Location of the drain valve





Size [l]	L [mm]	U [mm]
40	205	665
60	260	610
80	315	555
100	325	545

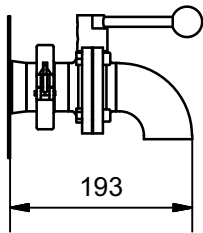
Additional equipment

Butterfly valve with drain downwards

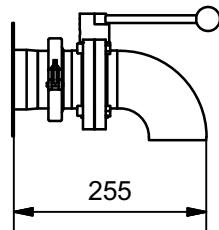
The unit can be dismantled e.g. when cleaning, and a plug to close the pipe when the valves is not mounted is attached.

The angle is welded to the valve, providing a shorter construction.

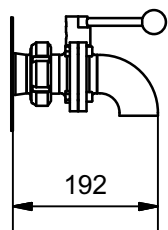
2" ISO Clamp



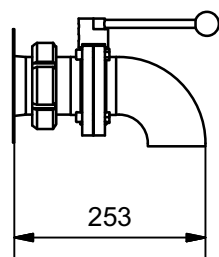
3" ISO Clamp



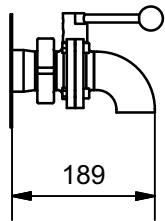
2" SMS



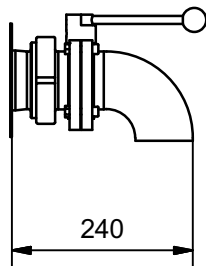
3" SMS



2" DS



3" DS



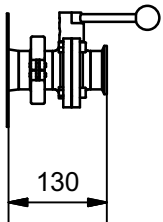
Butterfly valve with connection for a pump

This valve is suitable for connecting a pump to the kettle.

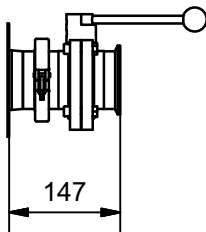
If an angle (accessory) is mounted, the valve can also be used without a pump. e.g. when cleaning.

The unit can be dismantled e.g. when cleaning, and a plug to close the pipe when the valves is not mounted is attached.

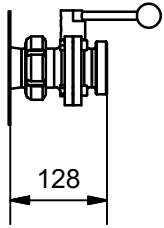
2" ISO Clamp



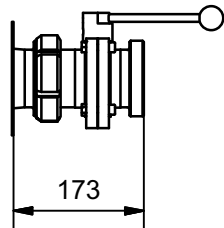
3" ISO Clamp



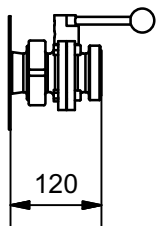
2" SMS



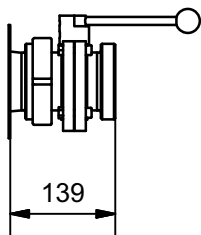
3" SMS



2" DS

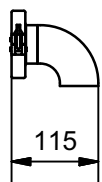


3" DS

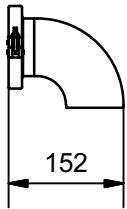


Angles for butterfly valve

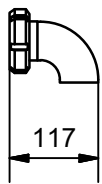
Loose angle for 2" ISO Clamp butterfly valve



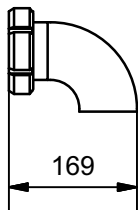
Loose angle for 3" ISO Clamp butterfly valve



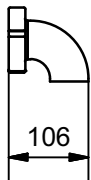
Loose angle for 2" SMS butterfly valve



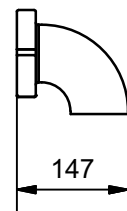
Loose angle for 3" SMS butterfly valve



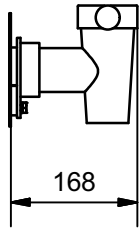
Loose angle for 2" DS butterfly valve



Loose angle for 3" DS butterfly valve

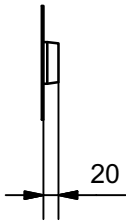


Drain tap, Echtermann type

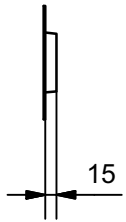


Outlet for customized solution

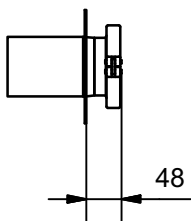
2" outlet



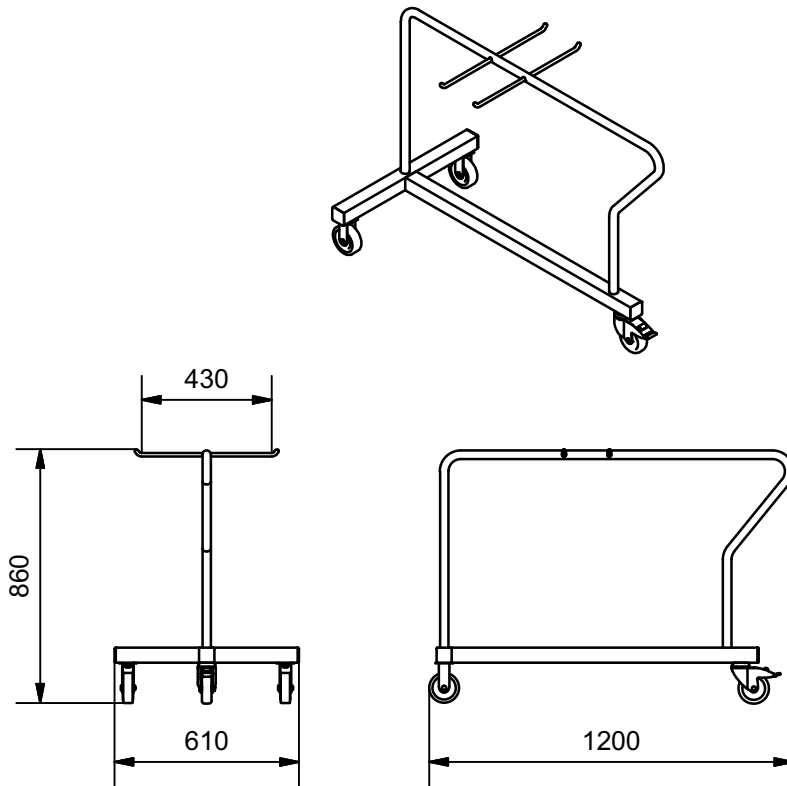
3" outlet



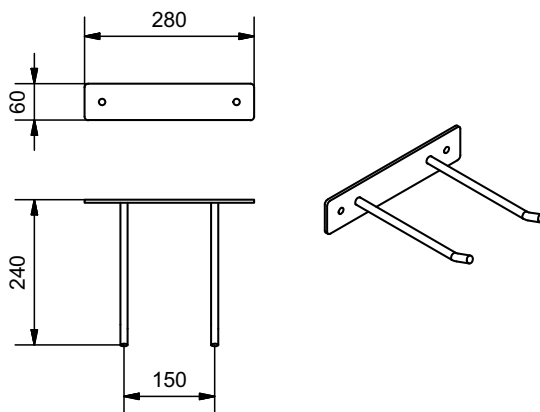
3" outlet with ISO Clamp



Trolley for accessory



Wall bracket for accessory



Jøni A/S reserve our right to alterations. Reservations against misprints.