

## Induction range IN 900

### *Technical data*

10000040476-TDA-000-01



IN 902F, IN 904F and IN 906F have square floating induction zones with 7 kW each and a dimension of 30X29 cm.

IN 902FL, IN 904FL and IN 906FL have square floating induction zones with 5 kW each and a dimension of 31X31 cm.

IN 902R, IN 904R and IN 906R have round induction zones with 5 kW and a diameter of 27 cm.

IN 904RF and IN 906RFR have combinations of round and square induction zones



## Technical data

### Electric

In the users manual there is important information regarding supply and connections.

#### 3~400V+PE, 50/60Hz

Type	Zones	Power [kW]	Current consumption [A]	Leakage current [mA]
IN 902F	2 X 300X290mm	14	21/21/21	<30
IN 904F	4 X 300X290mm	28	43/43/43	<60
IN 906F	6 X 300X290mm	42	64/64/64	<90
IN 902FL	2 X 310X310mm	10	15/15/15	<30
IN 904FL	4 X 310X310mm	20	31/31/31	<30
IN 906FL	6 X 310X310mm	30	46/46/46	<60
IN 902R	2 X Ø270mm	10	15/15/15	<30
IN 904R	4 X Ø270mm	20	31/31/31	<30
IN 906R	6 X Ø270mm	30	46/46/46	<60
IN 904RF	2 X Ø270mm 2 X 300X290mm	24	37/37/37	<60
IN 906RFR	4 X Ø270mm 2 X 300X290mm	34	52/52/52	<60

#### 3~440V+PE, 50/60Hz

Type	Zones	Power [kW]	Current consumption [A]	Leakage current [mA]
IN 902F	2 X 300X270mm	14	20/20/20	<30
IN 904F	4 X 300X270mm	28	39/39/39	<60
IN 906F	6 X 300X270mm	42	59/59/59	<90
IN 902R	2 X Ø270mm	10	14/14/14	<30
IN 904R	4 X Ø270mm	20	28/28/28	<30
IN 906R	6 X Ø270mm	30	42/42/42	<60
IN 904RF	2 X Ø270mm 2 X 300X270mm	24	34/34/34	<60
IN 906RFR	4 X Ø270mm 2 X 300X270mm	34	47/47/47	<60



## Ventilation

3~400V+PE / 3~440V+PE, 50/60Hz

Type	Sensible [W]	Latent [W]	Steam [kg/h]
IN 902F	980	392	0,6
IN 904F	1960	784	1,1
IN 906F	2940	1176	1,7
IN 902FL	700	280	0,4
IN 904FL	1400	560	0,8
IN 906FL	2100	840	1,2
IN 902R	700	280	0,4
IN 904R	1400	560	0,8
IN 906R	2100	840	1,2
IN 904RF	1680	672	1,0
IN 906RFR	2380	952	1,4

*The data is based on the German standard VDI 2052 for dimensioning of ventilation facilities.*

*The values are based on experience with an average product and a normal usage, and the actual demand varies by the efficiency of the appliance, the control and the way of use.*

*The simultaneity factor, which can be found in VDI 2052 is not taken into account.*

## Ingress protection class

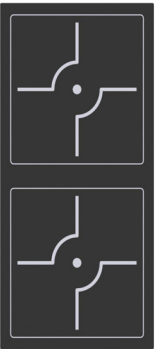
IPX5

## Combination of heating zones

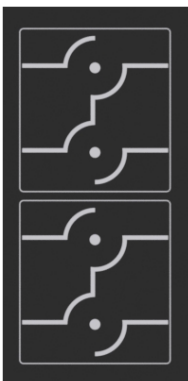
### IN 902R



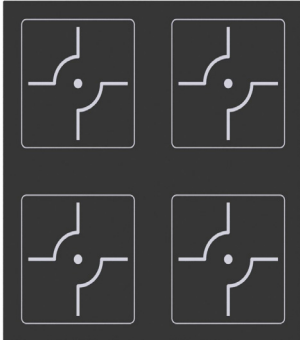
### IN 902FL



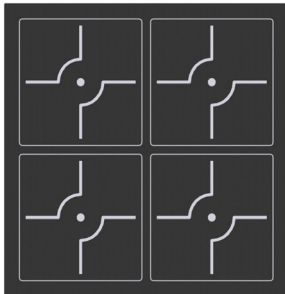
### IN 902F



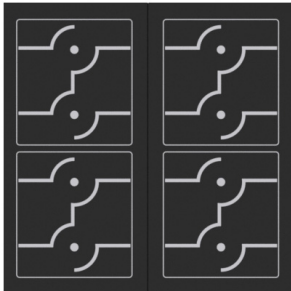
**IN 904R**



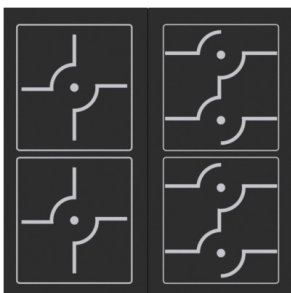
**IN 904FL**



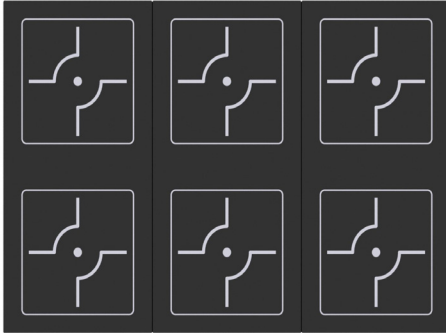
**IN 904F**



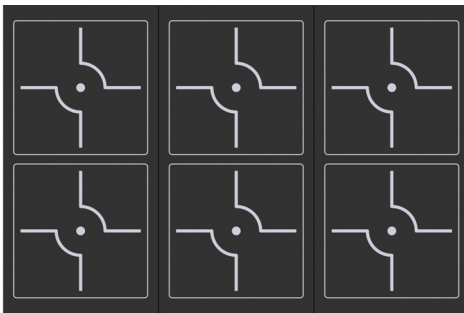
**IN 904RF**



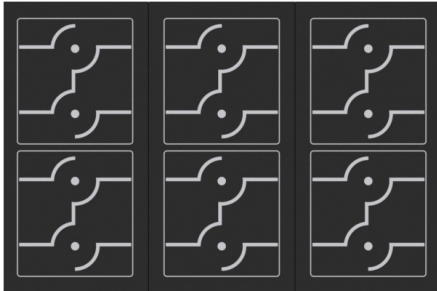
### IN 906R



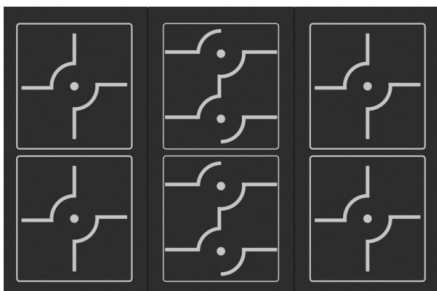
### IN 906FL



### IN 906F

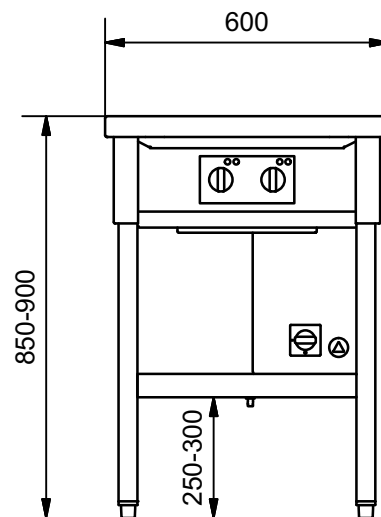
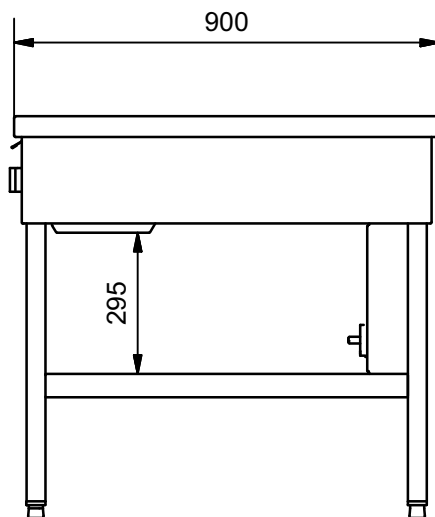


### IN 906RFR



## Dimensions of the product

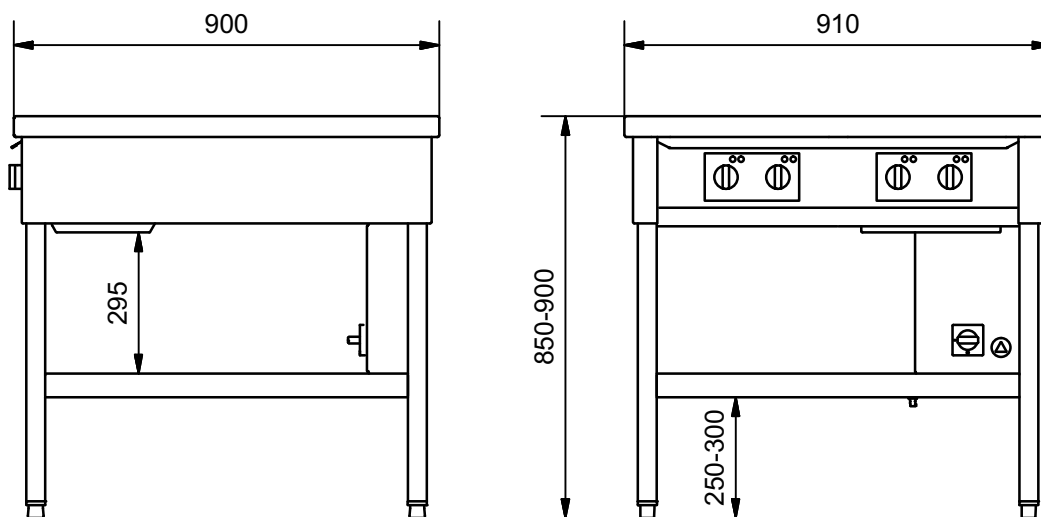
### IN 902F / IN 902FL / IN 902R with fixed height



See under the paragraph 'Dimensions for installation' about requirements for space around the appliance.

The heating zones are shown as round zones. See at the paragraph 'Combinations of heating zones' to see the drawings of other variants.

## IN 904F / IN 904 FL / IN 904R / IN 904RF with fixed height

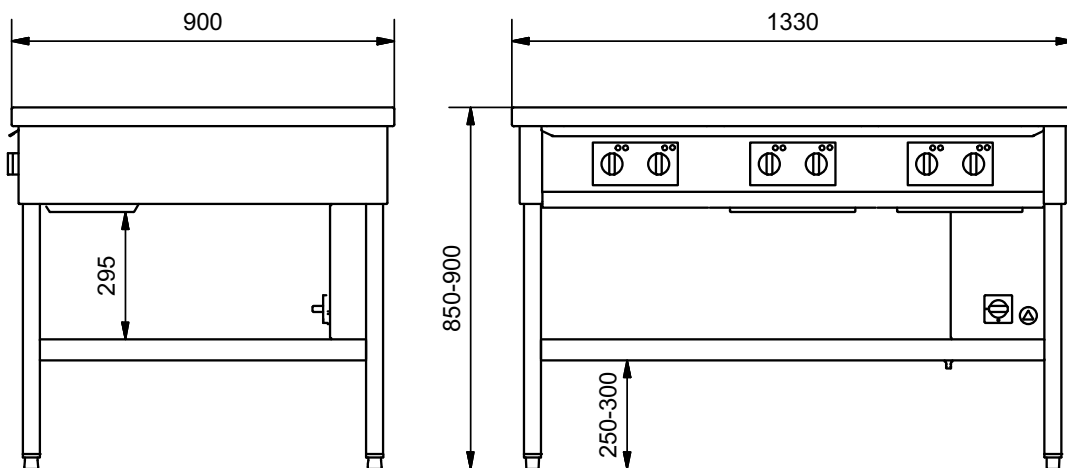


See under the paragraph 'Dimensions for installation' about requirements for space around the appliance.

The heating zones are shown as round zones. See at the paragraph 'Combinations of heating zones' to see the drawings of other variants.



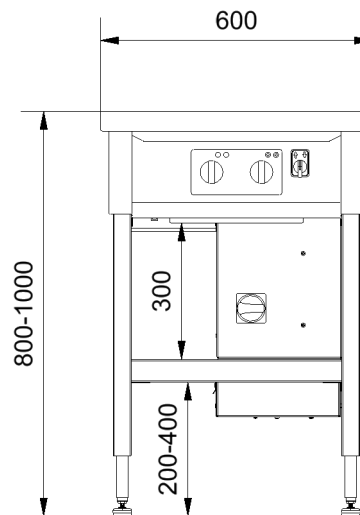
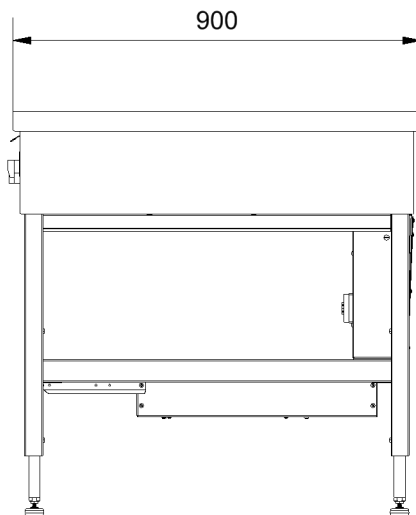
**IN 906F / IN 906FL / IN 906R / IN 906RFR with fixed height**



See under the paragraph 'Dimensions for installation' about requirements for space around the appliance.

The heating zones are shown as round zones. See at the paragraph 'Combinations of heating zones' to see the drawings of other variants.

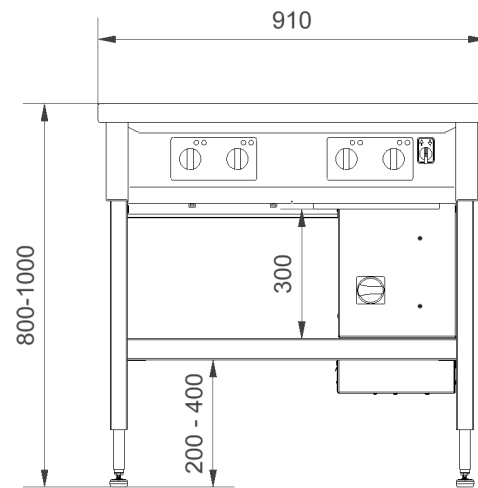
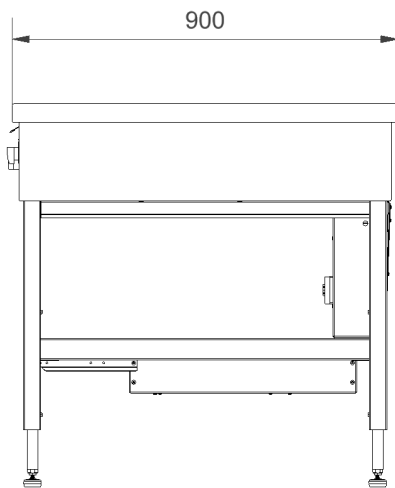
## IN 902F / IN 902FL / IN 902R Vari with undershelf



*The heating zones are shown as round zones. See at the paragraph 'Combinations of heating zones' to see the drawings of other variants.*

*See under the paragraph 'Dimensions for installation' about requirements for space around the appliance.*

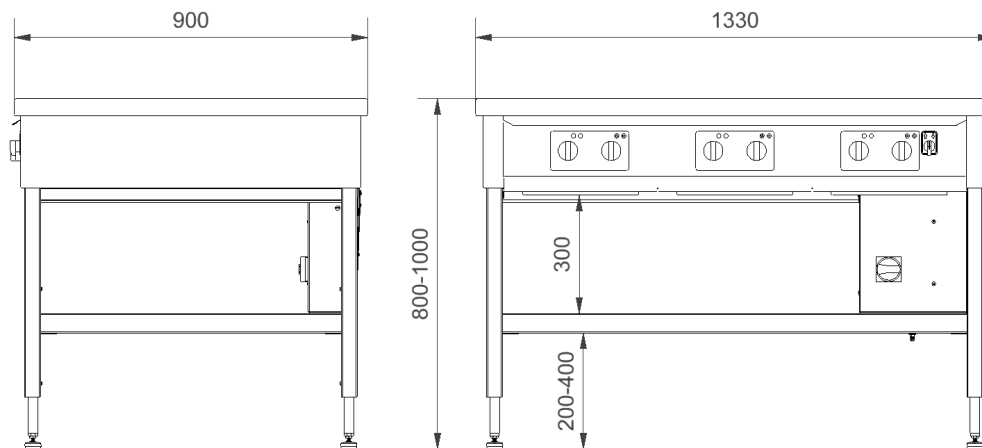
**IN 904F / IN 904FL / IN 904R / IN 904 RF Vari with undershelf**



*The heating zones are shown as round zones. See at the paragraph 'Combinations of heating zones' to see the drawings of other variants.*

*See under the paragraph 'Dimensions for installation' about requirements for space around the appliance.*

## IN 906F / IN 906FL / IN 906R / IN 906RFR Vari with undershelf

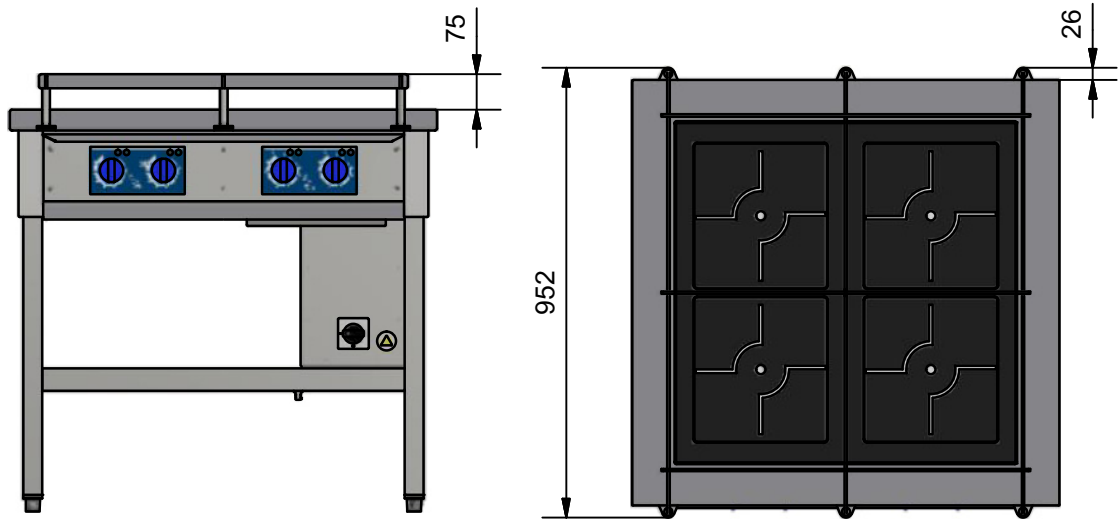


*The heating zones are shown as round zones. See at the paragraph 'Combinations of heating zones' to see the drawings of other variants.*

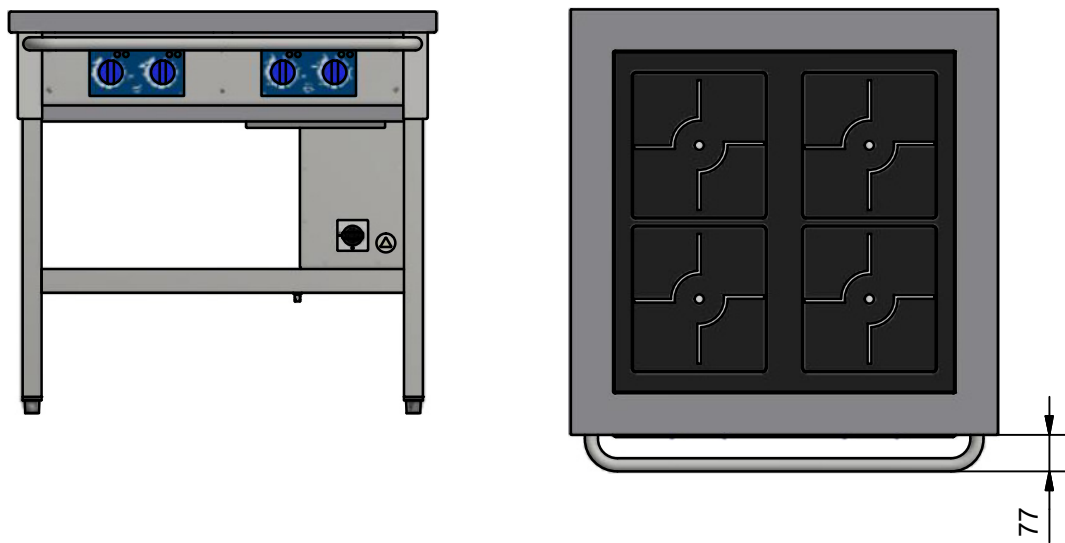
*See under the paragraph 'Dimensions for installation' about requirements for space around the appliance.*

## Additional equipment

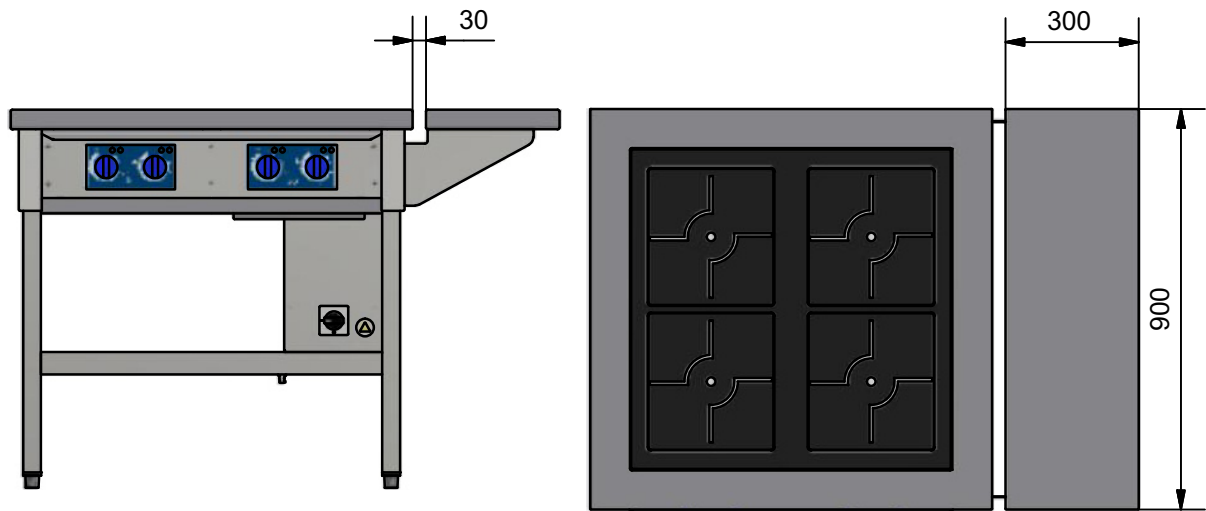
### Fiddles



### Hand rail

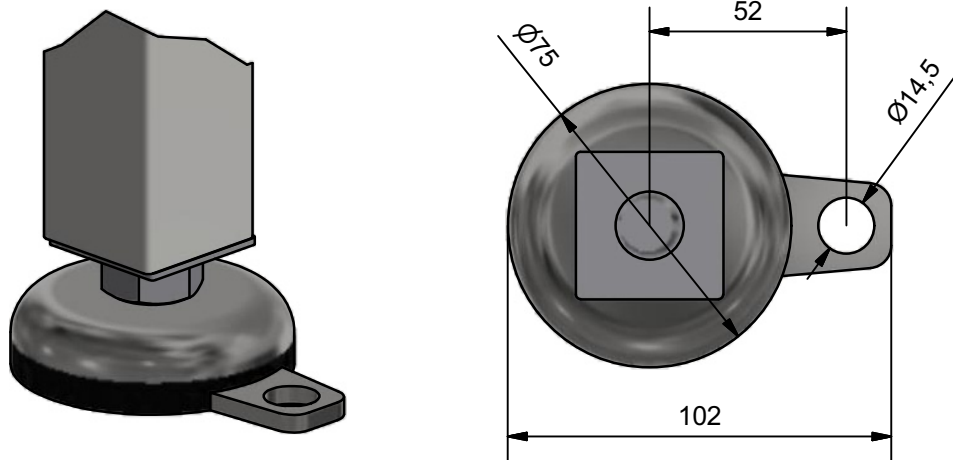


## Side shelf



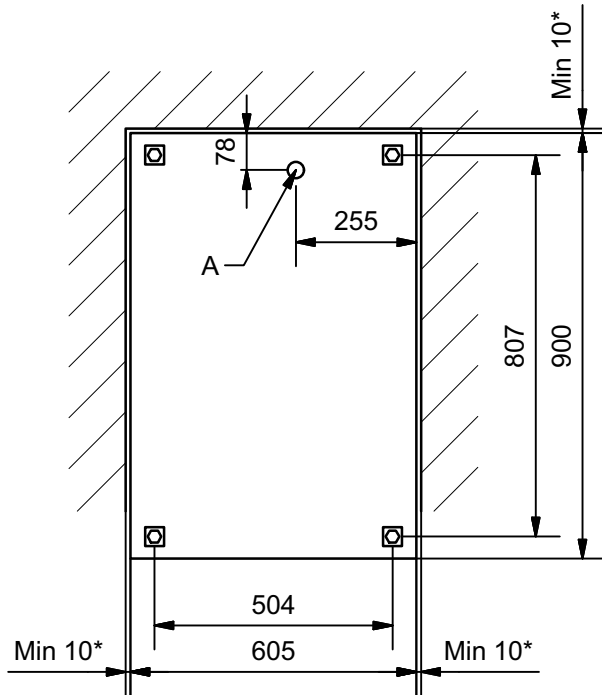
*Ranges with two zones and a side shelf must be fixed to the floor.*

## Fixing to the floor



## Dimensions for installation

### IN 902F / IN 902FL / IN 902R med fast højde og Vari with undershelf

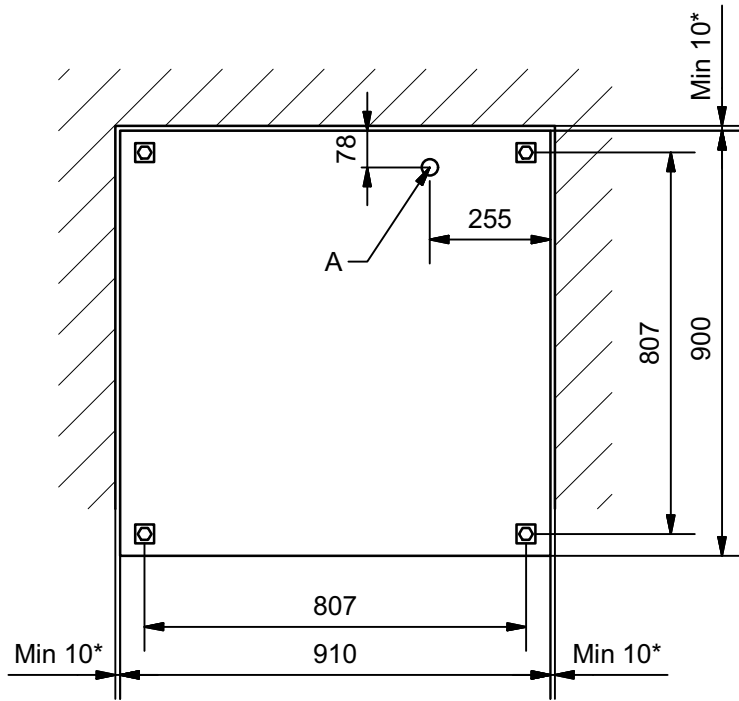


A: Minimum 500mm electrical cable over the floor.

\* Minimum 100mm when placed next to inflammable materials.

For usage and service purposes a 900 mm minimum clearance is required at the front of the range.

## IN 904F / IN 904FL / IN 904R / IN 904RF fixed height and Vari with under-shelf



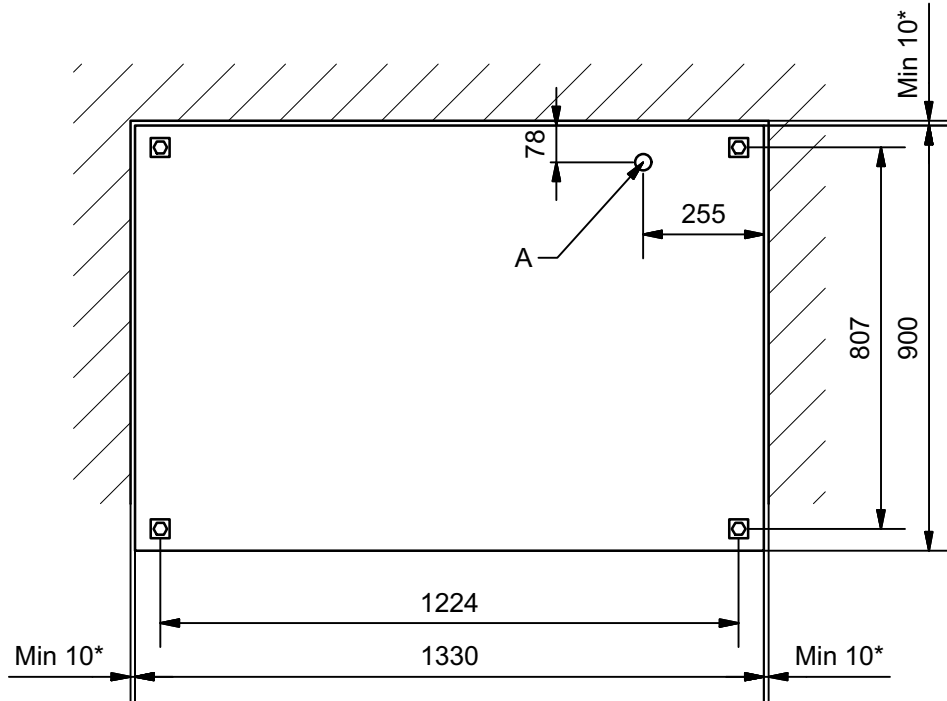
A: Minimum 500mm electrical cable over the floor.

\* Minimum 100mm when placed next to inflammable materials.

For usage and service purposes a 900 mm minimum clearance is required at the front of the range.



## IN 906F / IN 906FL / IN 906R / IN 906RFR fixed height and Vari with under-shelf



*A: Minimum 500mm electrical cable over the floor.*

*\* Minimum 100mm when placed next to inflammable materials.*

For usage and service purposes a 900 mm minimum clearance is required at the front of the range.