



Induction range IN 830

Technical data

10000040473-TDA-000-00



Each cooking zone has a power of 3,5 or 5 kW and a diameter of 275 mm.

Technical data

Electric

In the users manual there is important information regarding supply and connections.

3~400V+PE, 50/60Hz

Type	Zones 3,5kW	Power [kW]	Current consumption [A]	Leakage current [mA]
IN 832RL	2	7	11/11/11	<30
IN 834RL	4	14	21/21/21	<30
IN 836RL	6	21	32/32/32	<60

Type	Zones 5kW	Power [kW]	Current consumption [A]	Leakage current [mA]
IN 832R	2	10	15/15/15	<30
IN 834R	4	20	31/31/31	<30
IN 836R	6	30	46/46/46	<60

3~440V+PE, 50/60Hz

Type	Zones 3,5kW	Power [kW]	Current consumption [A]	Leakage current [mA]
IN 832RL	2	7	11/11/11	<30
IN 834RL	4	14	21/21/21	<30
IN 836RL	6	21	32/32/32	<60

Type	Zones 5kW	Power [kW]	Current consumption [A]	Leakage current [mA]
IN 832R	2	10	14/14/14	<30
IN 834R	4	20	28/28/28	<30
IN 836R	6	30	42/42/42	<60

Ventilation

3~400V+PE / 3~440V+PE, 50/60Hz

Type	Sensible [W]	Latent [W]	Steam [kg/h]
IN 832RL	490	196	0,3
IN 834RL	980	392	0,6
IN 836RL	1470	588	0,9



Type	Sensible [W]	Latent [W]	Steam [kg/h]
IN 832R	700	280	0,4
IN 834R	1400	560	0,8
IN 836R	2100	840	1,2

The data is based on the German standard VDI 2052 for dimensioning of ventilation facilities.

The values are based on experience with an average product and a normal usage, and the actual demand varies by the efficiency of the appliance, the control and the way of use.

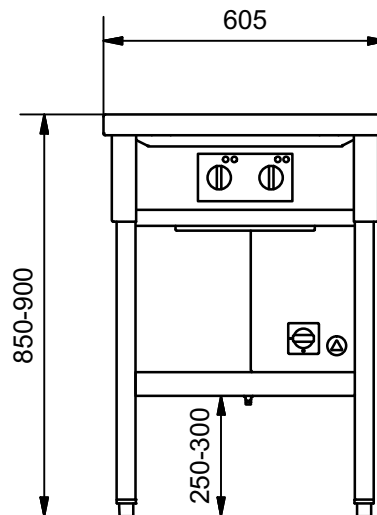
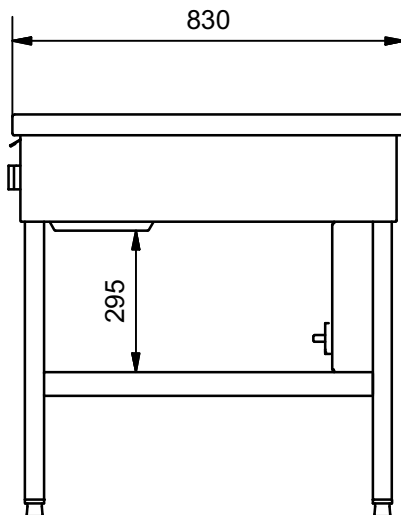
The simultaneity factor, which can be found in VDI 2052 is not taken into account.

Ingress protection class

IPX5

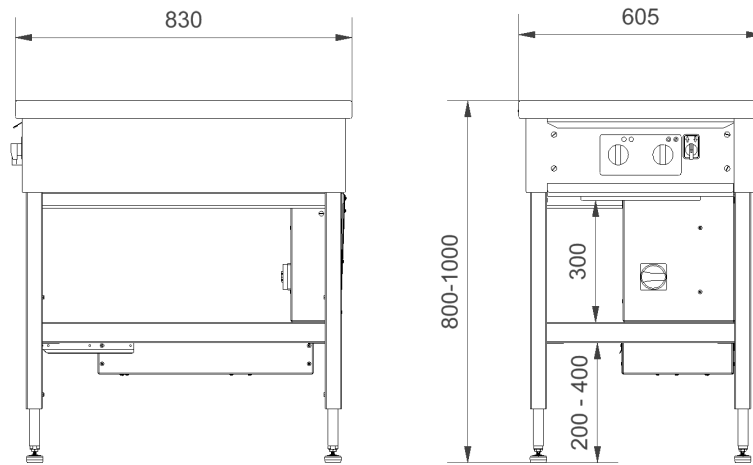
Dimensions of the product

IN 832



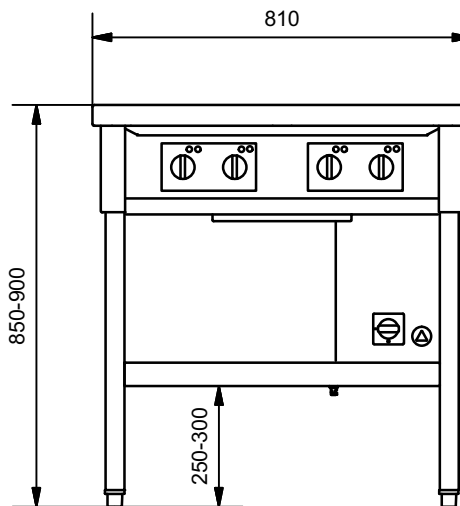
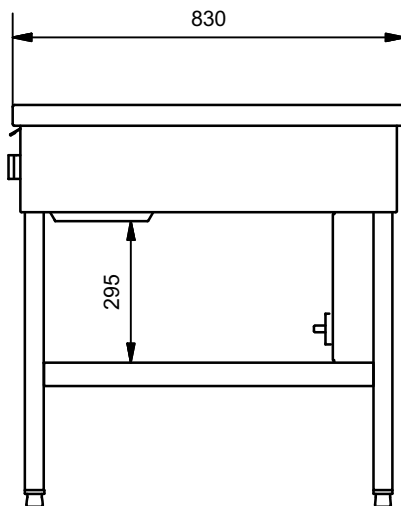
See under the paragraph 'Dimensions for installation' about requirements for space around the appliance.

IN 832 Vari with undershelf



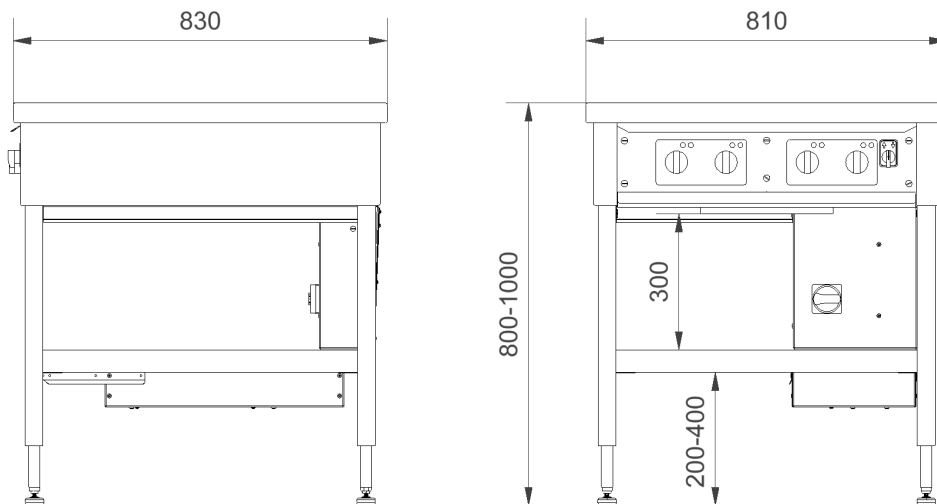
See under the paragraph 'Dimensions for installation' about requirements for space around the appliance.

IN 834



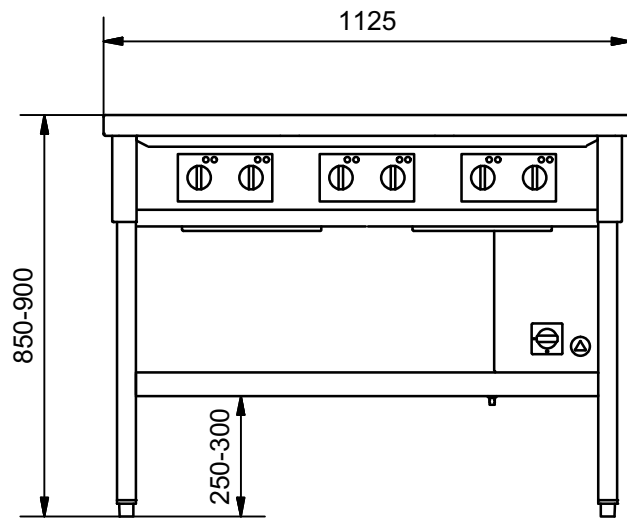
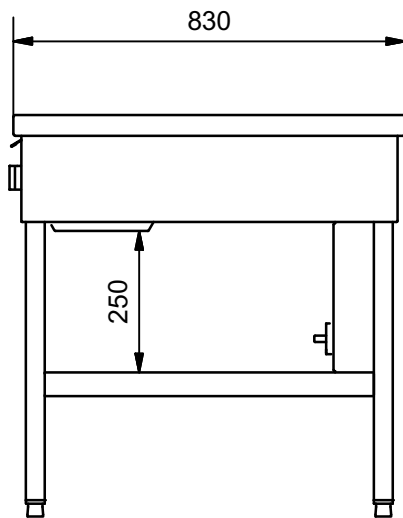
See under the paragraph 'Dimensions for installation' about requirements for space around the appliance.

IN 834 Vari with undershelf



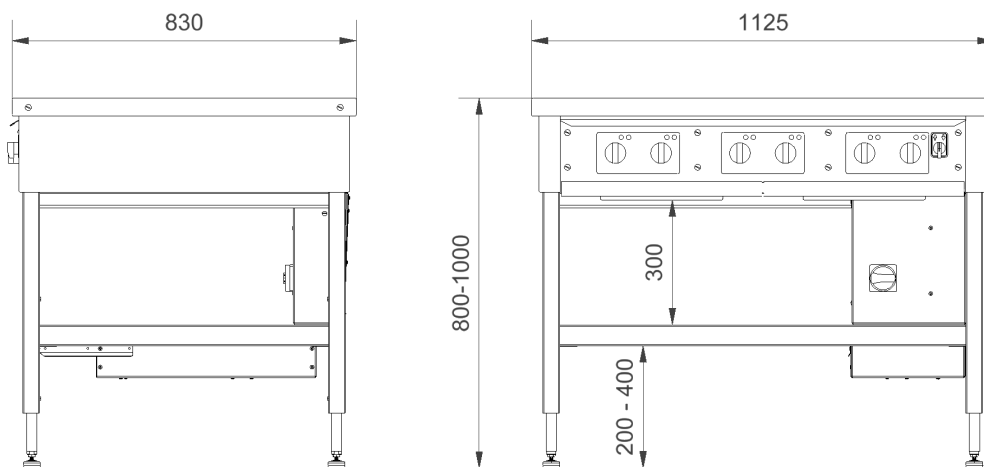
See under the paragraph 'Dimensions for installation' about requirements for space around the appliance.

IN 836



See under the paragraph 'Dimensions for installation' about requirements for space around the appliance.

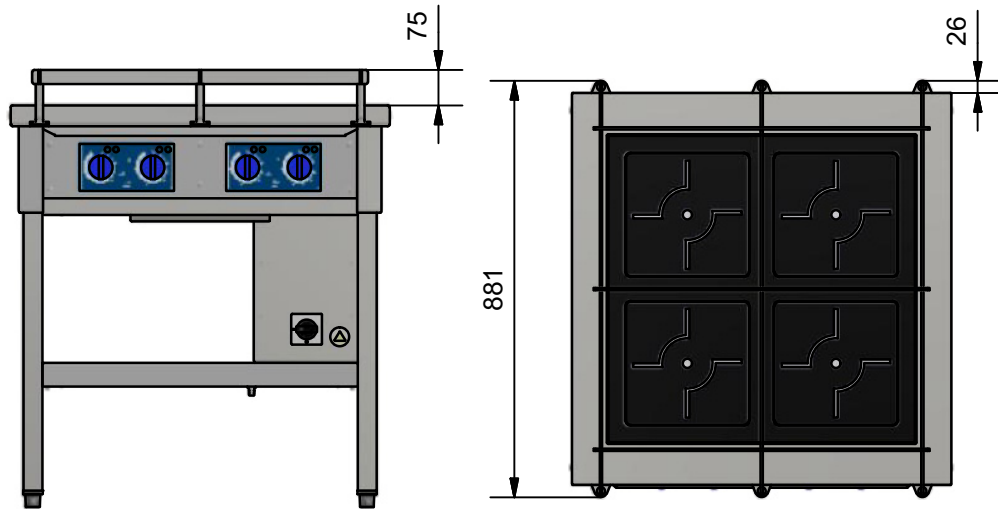
IN 836 Vari with undershelf



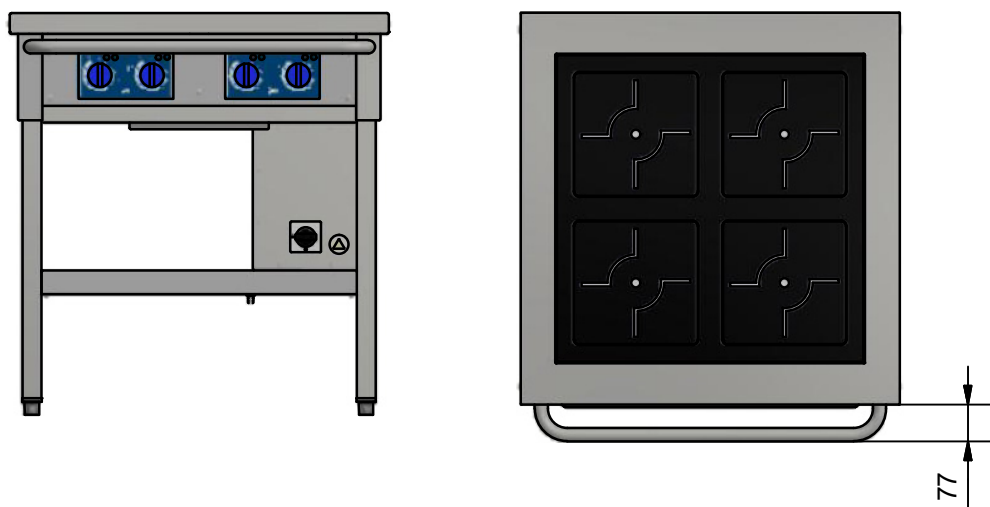
See under the paragraph 'Dimensions for installation' about requirements for space around the appliance.

Additional equipment

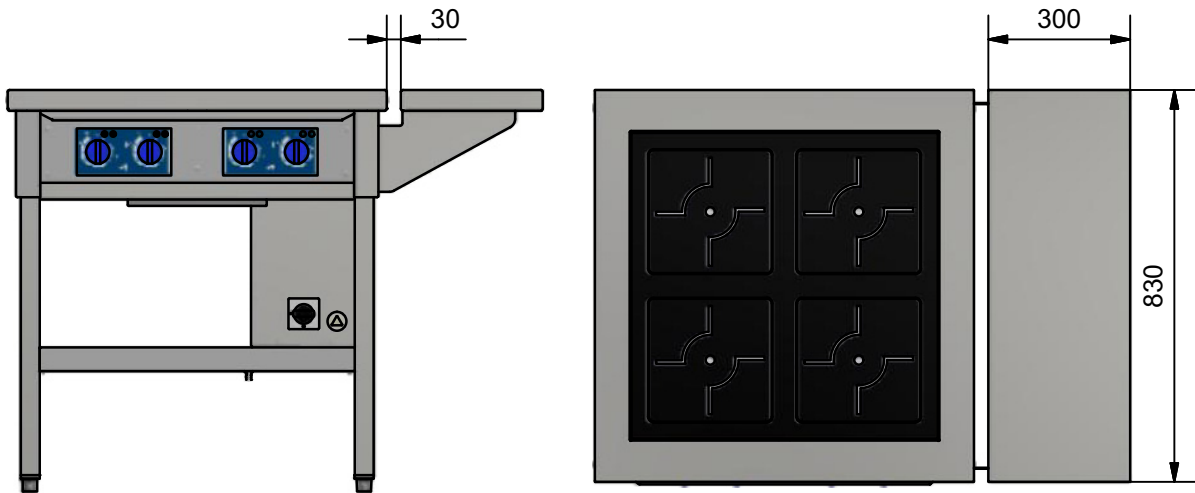
Fiddles



Hand rail

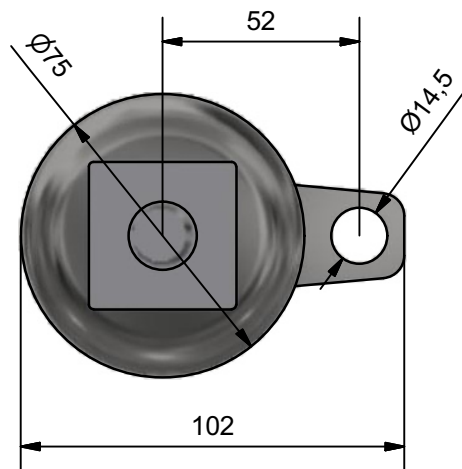
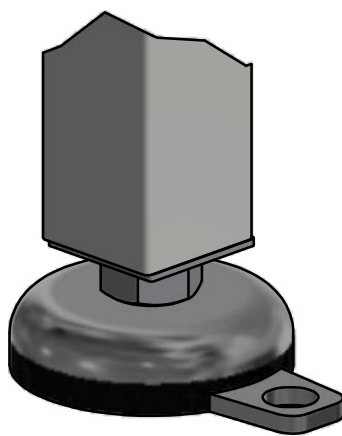


Side shelf



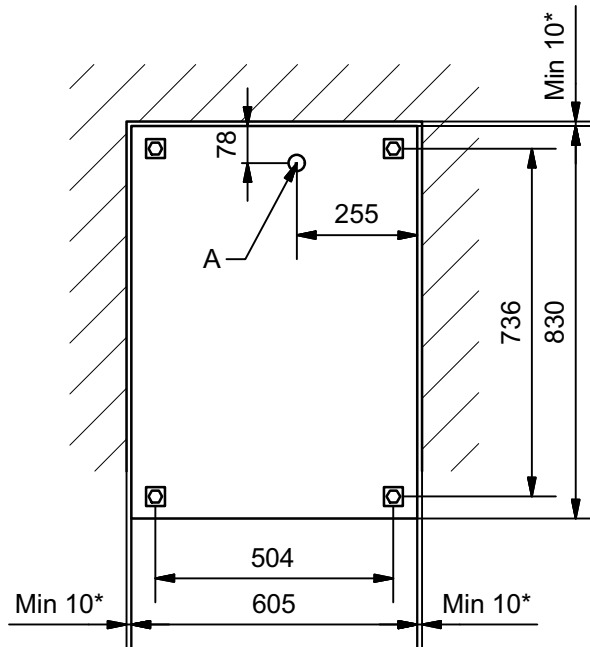
Side shelves can be mounted to the left, to the right or to both sides.
Ranges with two zones and a side shelf must be fixed to the floor.

Fixing to the floor



Dimensions for installation

IN 832 / IN 832 Vari with undershelf

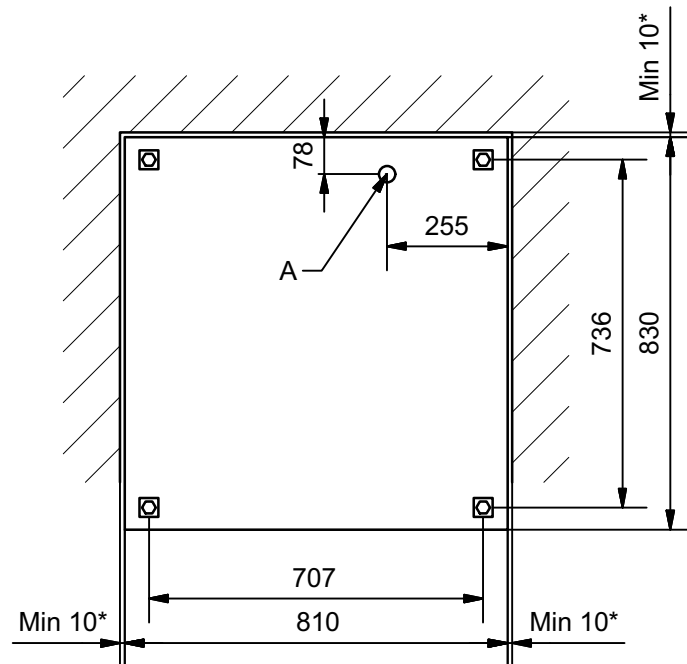


A: Minimum 500mm electrical cable over the floor.

* Minimum 100mm when placed next to inflammable materials.

For usage and service purposes a 830 mm minimum clearance is required at the front of the range.

IN 834 / IN 834 Vari with undershelf

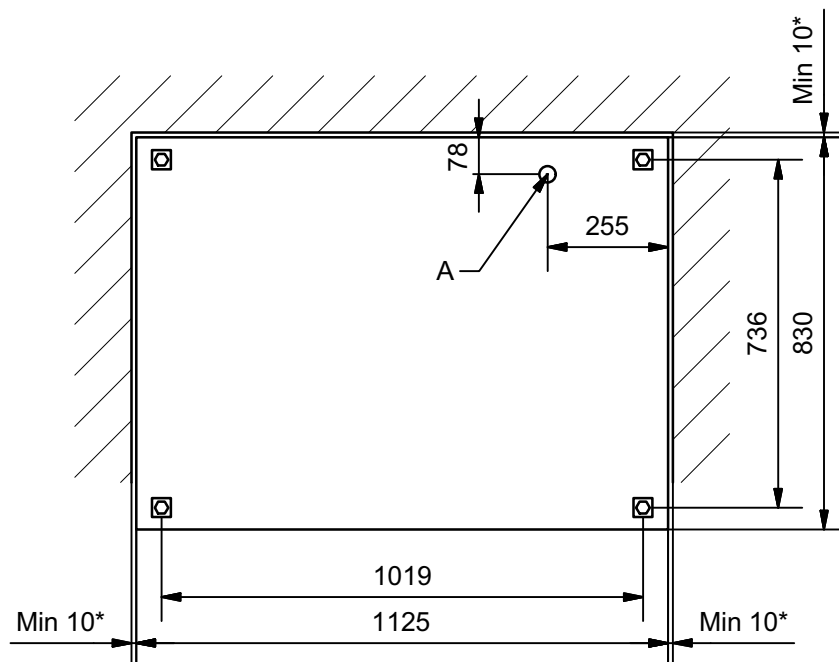


A: Minimum 500mm electrical cable over the floor.

* Minimum 100mm when placed next to inflammable materials.

For usage and service purposes a 830 mm minimum clearance is required at the front of the range.

IN 836 / IN 863 Vari with undershelf



A: Minimum 500mm electrical cable over the floor.



** Minimum 100mm when placed next to inflammable materials.*

For usage and service purposes a 830 mm minimum clearance is required at the front of the range.