

Frying pan model StePa

Technical data

10000039100-TDA-000-03



StePa 225 has one zone.

StePa 425 and StePa 675 have two zones controlled separately.

In the standard version the temperature can be adjusted between 50-250°C.

In the standard version StePa has a hinged lid and electrical tilt.

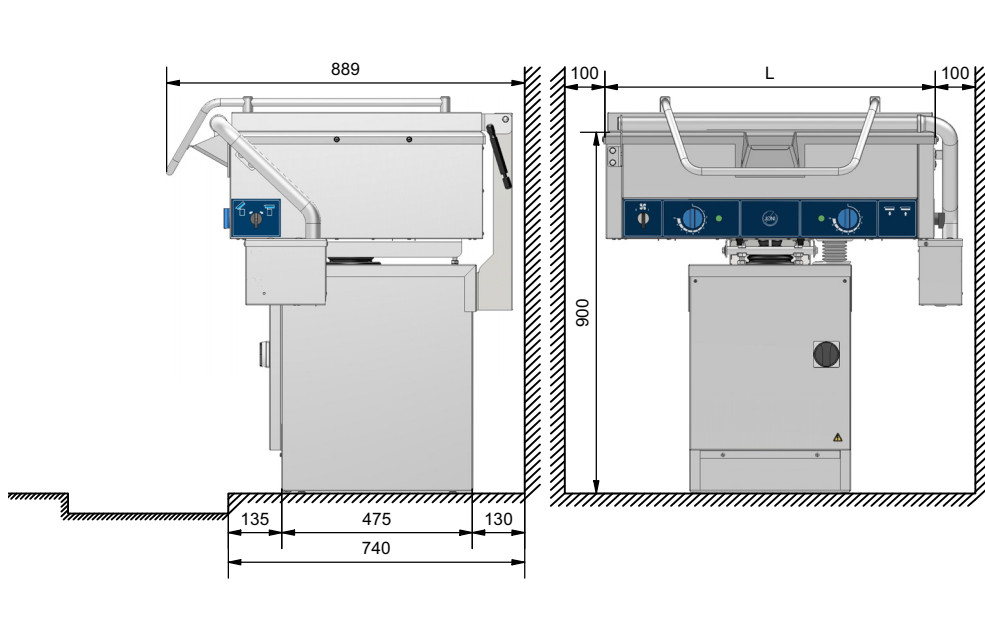
The pan is available in steel or stainless steel and in depth of 65 or 120 mm.

All sizes are available with the following bases:

- On pillar
- On height adjustable pillar (Vari)
- On legs (Stand)
- On height adjustable legs (Stand Vari)
- On wheels and with a handle (Mobile)

Dimensions of the product

StePa

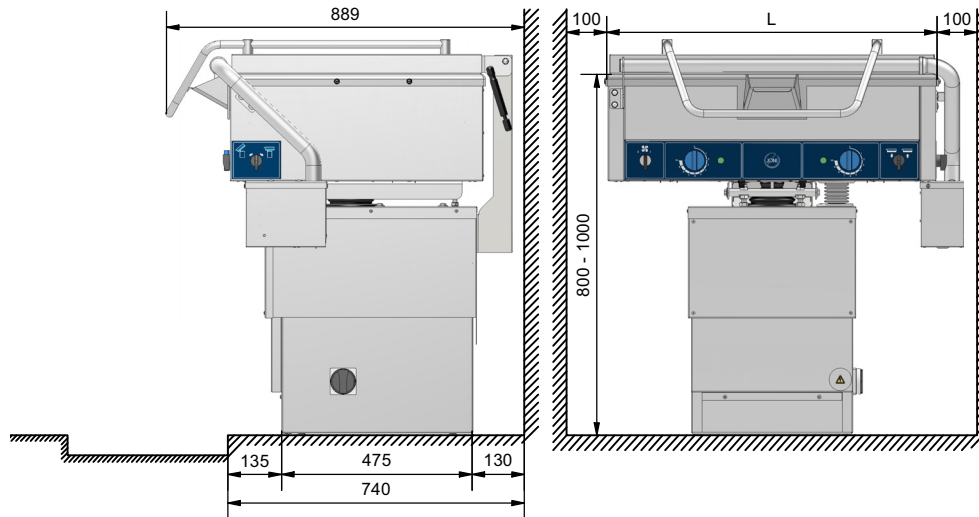


See under the paragraph 'Dimensions for installation' about requirements for space around the appliance.

The dimensions for space behind and beside the appliance are minimum requirements. For cleaning and service purposes a bigger distance is commanded.

Type	L [mm]	Internal dimensions [mm]	Volume [l]
StePa 225	640	520x470x65	17
StePa 225D	640	520x470x120	31
StePa 425	825	705x520x65	25
StePa 425D	825	705x520x120	47
StePa 675	1060	940x520x65	34
StePa 675D	1060	940x520x120	62

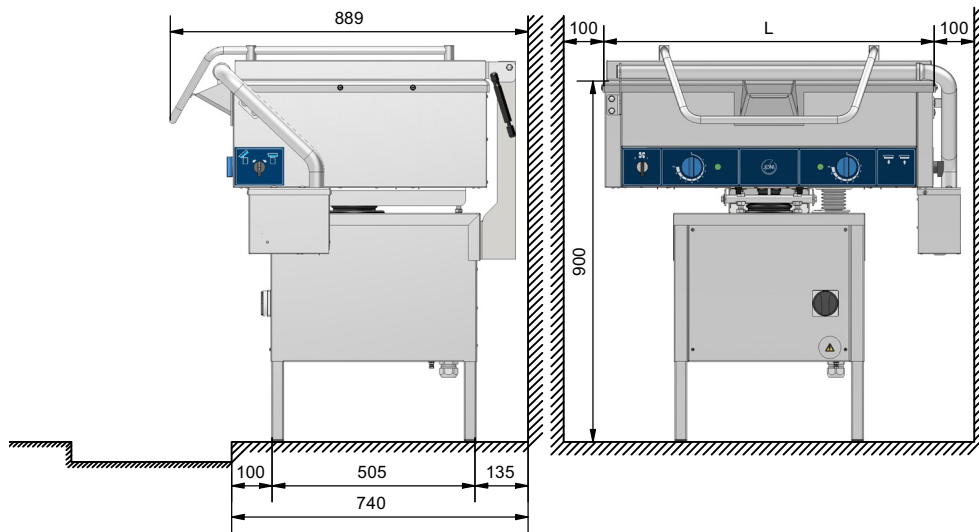
StePa Vari



The dimensions for space behind and beside the appliance are minimum requirements. For cleaning and service purposes a bigger distance is commanded.

Type	L [mm]	Internal dimensions [mm]	Volume [l]
StePa 225	640	520x470x65	17
StePa 225D	640	520x470x120	31
StePa 425	825	705x520x65	25
StePa 425D	825	705x520x120	47
StePa 675	1060	940x520x65	34
StePa 675D	1060	940x520x120	62

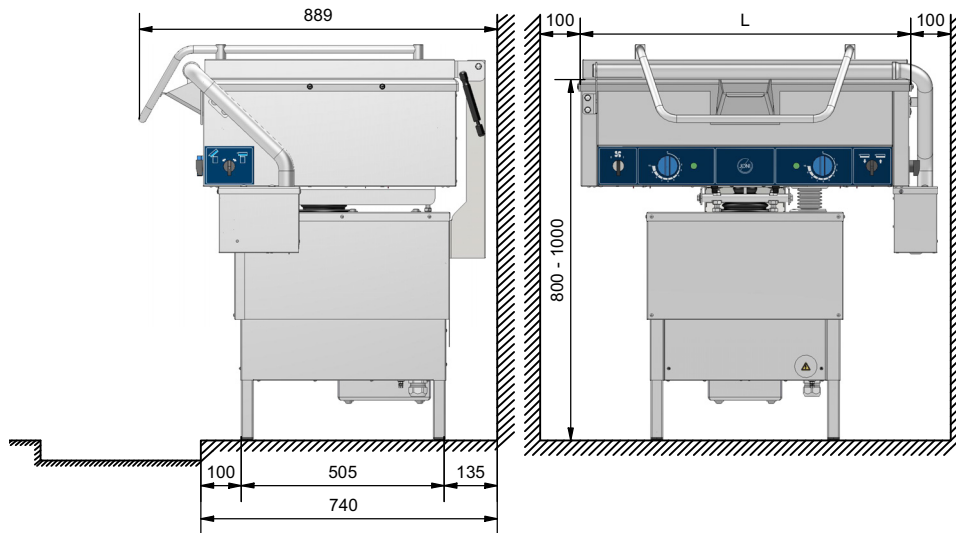
StePa Stand



The dimensions for space behind and beside the appliance are minimum requirements. For cleaning and service purposes a bigger distance is commanded.

Type	L [mm]	Internal dimensions [mm]	Volume [l]
StePa 225	640	520x470x65	17
StePa 225D	640	520x470x120	31
StePa 425	825	705x520x65	25
StePa 425D	825	705x520x120	47
StePa 675	1060	940x520x65	34
StePa 675D	1060	940x520x120	62

StePa Stand Vari



The dimensions for space behind and beside the appliance are minimum requirements. For cleaning and service purposes a bigger distance is commanded.

Type	L [mm]	Internal dimensions [mm]	Volume [l]
StePa 225	640	520x470x65	17
StePa 225D	640	520x470x120	31
StePa 425	825	705x520x65	25
StePa 425D	825	705x520x120	47
StePa 675	1060	940x520x65	34
StePa 675D	1060	940x520x120	62

Technical data

High power

Electric

In the users manual there is important information regarding supply and connections.

Important: StePa Stand Vari must be connected to a repair switch disconnecter in the fixed installation. The repair switch disconnecter can be a plug (e.g. CEE), if it can be secured against unintentional connection.

3~230V+PE, 50/60Hz

Type	Power [kW]	Current consumption [A]
StePa 225	8,8	25/25/17
StePa 425	13,2	33/33/33
StePa 675	17,6	42/50/42

3~400V+N+PE, 50/60Hz

Type	Power [kW]	Current consumption [A]
StePa 225	8,8	19/10/10
StePa 425	13,2	19/19/19
StePa 675	17,6	29/29/19

3~400V+PE, 50/60Hz

Type	Power [kW]	Current consumption [A]
StePa 225	8,8	15/15/10
StePa 425	13,2	19/19/19
StePa 675	17,6	29/29/24

3~440V+PE, 50/60Hz

Type	Power [kW]	Current consumption [A]
StePa 225	8,1	16/9/9
StePa 425	12	16/16/16
StePa 675	16	24/16/24

Ventilation

The data is based on the German standard VDI 2052 for dimensioning of ventilation facilities.

The values are based on experience with an average product and a normal usage, and the actual demand varies by the efficiency of the appliance, the control and the way of use.

The simultaneity factor, which can be found in VDI 2052 is not taken into account.

230V and 400V

Type	Sensible [W]	Latent [W]	Steam [kg/h]
StePa 225	3960	3520	5,2
StePa 425	5940	5280	7,8
StePa 675	7920	7040	10,3

440V

Type	Sensible [W]	Latent [W]	Steam [kg/h]
StePa 225	3645	3240	4,8
StePa 425	5400	4800	7,1
StePa 675	7200	6400	9,4

Low power

Electric

In the users manual there is important information regarding supply and connections.

Important: StePa Stand Vari must be connected to a repair switch disconnecter in the fixed installation. The repair switch disconnecter can be a plug (e.g. CEE), if it can be secured against unintentional connection.

3~230V+PE, 50/60Hz

Type	Power [kW]	Current consumption [A]
StePa 225	6,0	17/17/11
StePa 425	9,0	23/23/23
StePa 675	12,0	29/34/29

3~400V+N+PE, 50/60Hz

Type	Power [kW]	Current consumption [A]
StePa 225	6	13/7/7
StePa 425	9	13/13/13
StePa 675	12	20/20/13



3~400V+PE, 50/60Hz

Type	Power [kW]	Current consumption [A]
StePa 225	6	14/8/8
StePa 425	9	14/14/14
StePa 675	12	22/14/14

3~440V+PE, 50/60Hz

Type	Power [kW]	Current consumption [A]
StePa 225	5,5	11/6/6
StePa 425	8,3	11/11/11
StePa 675	11	17/11/17

Ventilation

The data is based on the German standard VDI 2052 for dimensioning of ventilation facilities.

The values are based on experience with an average product and a normal usage, and the actual demand varies by the efficiency of the appliance, the control and the way of use.

The simultaneity factor, which can be found in VDI 2052 is not taken into account.

230V and 400V

Type	Sensible [W]	Latent [W]	Steam [kg/h]
StePa 225	2700	2400	3,5
StePa 425	4050	3600	5,3
StePa 675	5400	4800	7,1

440V

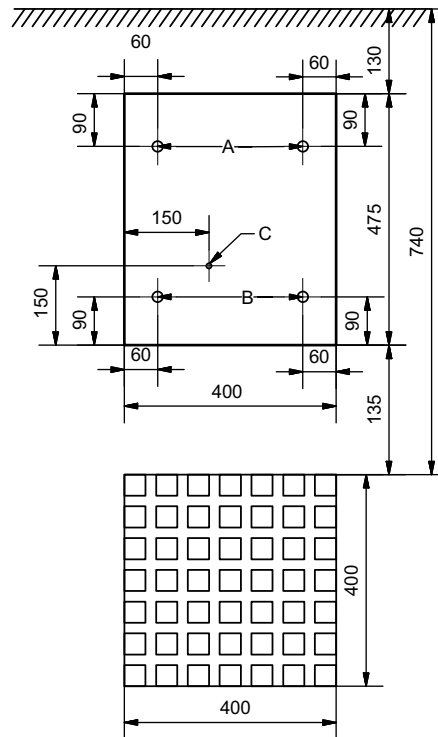
Type	Sensible [W]	Latent [W]	Steam [kg/h]
StePa 225	2475	2200	3,2
StePa 425	3735	3320	4,9
StePa 675	4950	4400	6,5

Ingress protection class

IPX4

Dimensions for installation

StePa on fixed or height adjustable pillar



A: 2 pc. M12 bolts in stainless steel. 130 mm above the floor.

B: 2 pc. M12 bolts in stainless steel. 90 mm above the floor.

C: Cabel 600 mm above the floor.