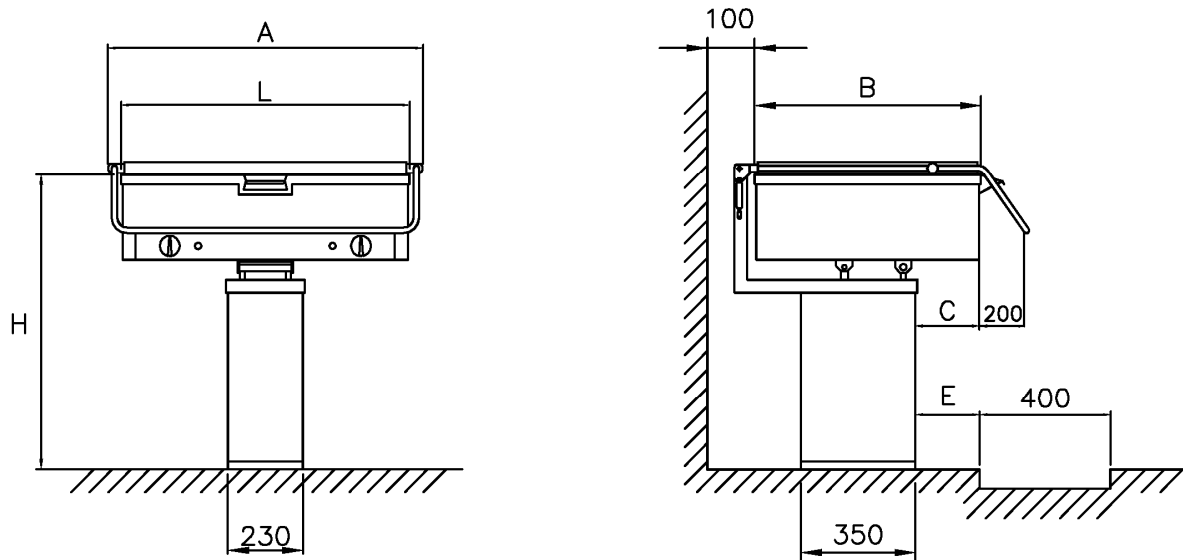




Technical data for frying pan model J

Dimensions and volume

On pillar



Model J with 65 mm deep pan

Type	A [mm]	B [mm]	C [mm]	L [mm]	H [mm]	Inner dimensions [mm]	Brim volume [l]	Weight* [kg]	IP-class
J-225	730	590	160	640	900	520x470x65	17	91	X4
J-425	915	640	210	825	900	705x520x65	25	120	X4
J-675	1150	640	210	1060	900	940x520x65	34	144	X4

Model JD with 120 mm deep pan

Type	A [mm]	B [mm]	C [mm]	L [mm]	H [mm]	Inner dimensions [mm]	Brim volume [l]	Weight* [kg]	IP-class
J-225 D	730	590	160	640	900	520x470x120	31	95	X4
J-425 D	915	640	210	825	900	705x520x120	47	128	X4
J-675 D	1150	640	210	1060	900	940x520x120	62	155	X4

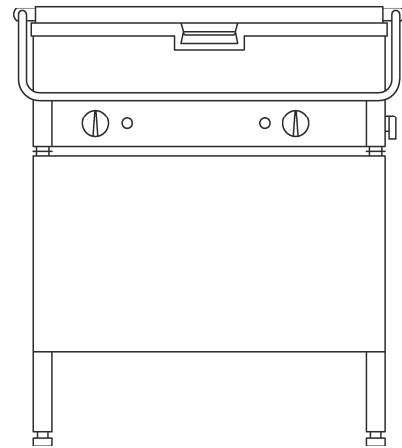
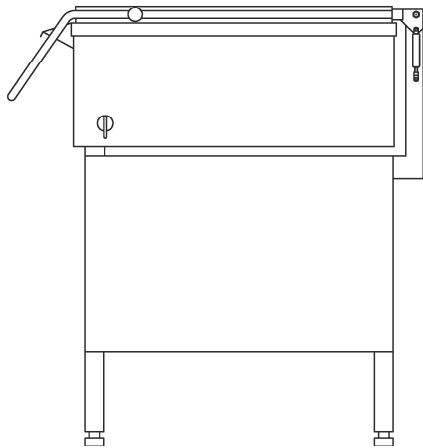
* The weight can vary depending on the chosen accessory.



we know what's cooking

Technical data for frying pan model J

On legs



Specifications for tilting frying pan J

3 sizes in 2 depth
Pillar- or stand- mounted version
Method of heating: Electric
Number of heating zones: J-225: 1 zone, J-425 and J-675: 2 zones
Temperature control: Thermostat
Method for tilting: Electric
Lid: Hinged or loos lid
Heat adjustment: Steeples
Rated power: According to table
Max. Temperature: 250 C
Pillar/stand and all outer surfaces: Stainless steel
Pan: Standard steel
Lid: Stainless steel
Working height: 900 mm

Accessory for model J

Height adjustable pan / stand with working height : 800 - 1000 mm
Imbedding frame



Technical data for frying pan model J

Connections for Model J

Type	Effekt	3x230V+PE		3x400V+PE	
		Rated power [kW]	Current consumption [A] L ₁ +L ₂ +L ₃	Rated power [kW]	Current consumption [A] L ₁ +L ₂ +L ₃
J-225	Normal power	6,0	11/17/17	6,0	8/14/8
	High power	8,8	17/25/25	8,8	15/15/10
J-425	Normal power	9,0	23/23/23	9,0	14/14/14
	High power	13,2	33/33/33	13,2	19/19/19
J-675	Normal power	12,0	29/29/34	12,0	22/22/14
	High power	17,6	42/42/50	17,6	24/29/24

Type	Effekt	3x400V+N+PE		3x440V+PE	
		Rated power [kW]	Current consumption [A] L ₁ +L ₂ +L ₃	Rated power [kW]	Current consumption [A] L ₁ +L ₂ +L ₃
J-225	Normal power	6	7/7/13	5,5	6/11/6
	High power	8,8	10/10/19	8,1	9/16/9
J-425	Normal power	9	13/13/13	8,3	11/11/11
	High power	13,2	19/19/19	12	16/16/16
J-675	Normal power	12	13/20/20	11	17/17/11
	High power	17,6	29/19/29	16	24/16/24

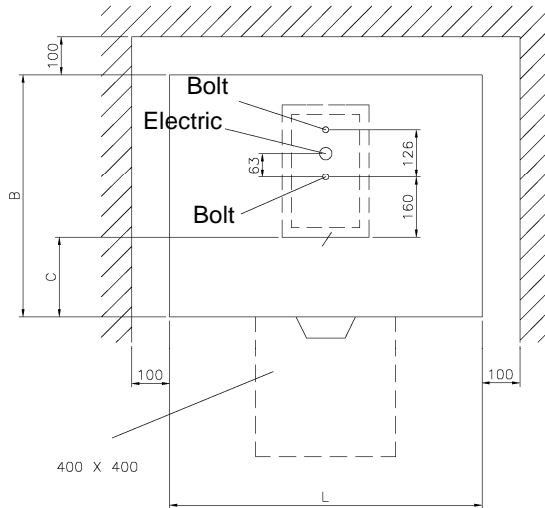


Technical data for frying pan model J

Installation data for model J

Location of pillar, floor drain, electric connections and bolts

Dokument nr. 10000004115-000-03 Page 4/4



Type	A [mm]	B [mm]	C [mm]	L [mm]
J-225	530	590	160	640
J-425	530	640	210	825
J-675	530	640	210	1060

Placement of the ombedding frame

